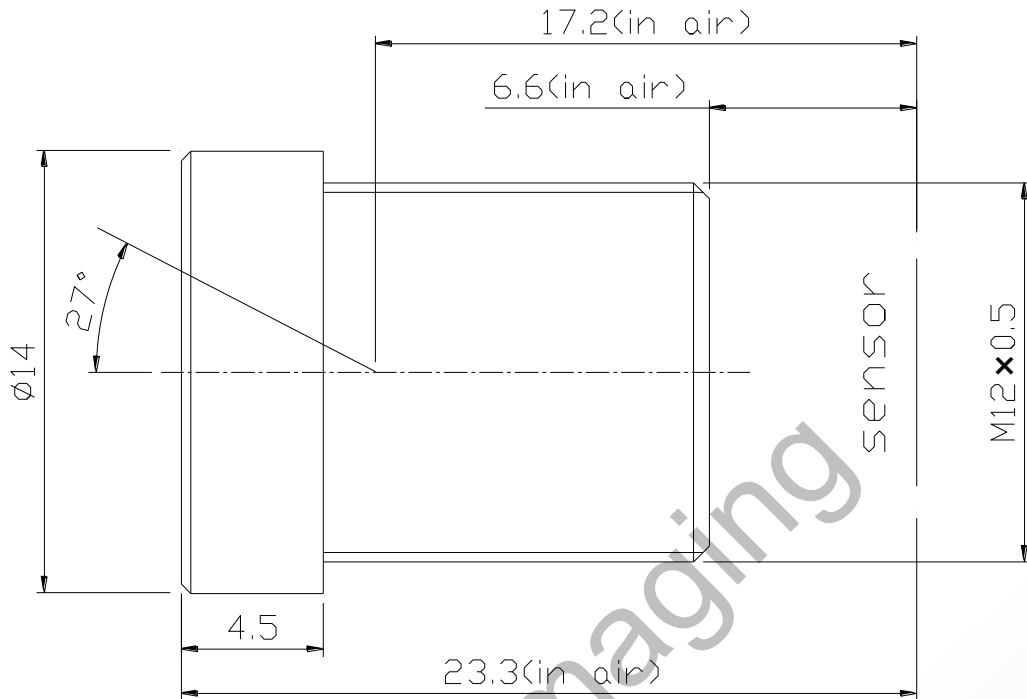


# Lensagon B3M8016



The S-Mount lens Lensagon B3M8016 is suitable for common sensors up to 3 megapixel with an image format of 1/2.5 inch. IR Correction up to 850nm

## Technical Data

Mount	S-Mount
Sensor	1/2.5 inch
Focal Length	8 mm
Aperture	2.2
MOD	0.3 m
Back Focal	7.1 mm
Angle of View	D:54° H:41° V:31°
Megapixel	3 MP
Filter	IR corrected
IR Cut	corrected
Weight	6 g
Iris	fixed
Focus	fixed
Typ	Standard

**SEDECO**  
IMAGING

Germany, Austria, Switzerland  
Sedeco Imaging GmbH  
Unterer Dammweg 12  
76149 Karlsruhe  
Germany  
T. +49 721 5604 7980  
info@sedeco-imaging.com

BeNeLux  
Sedeco Imaging B.V.  
Trasmolenlaan 12  
3447 GZ Woerden  
the Netherlands  
T. +31 348 749110  
info@sedeco-imaging.nl

[www.sedeco-imaging.com](http://www.sedeco-imaging.com)



**3** Megapixel