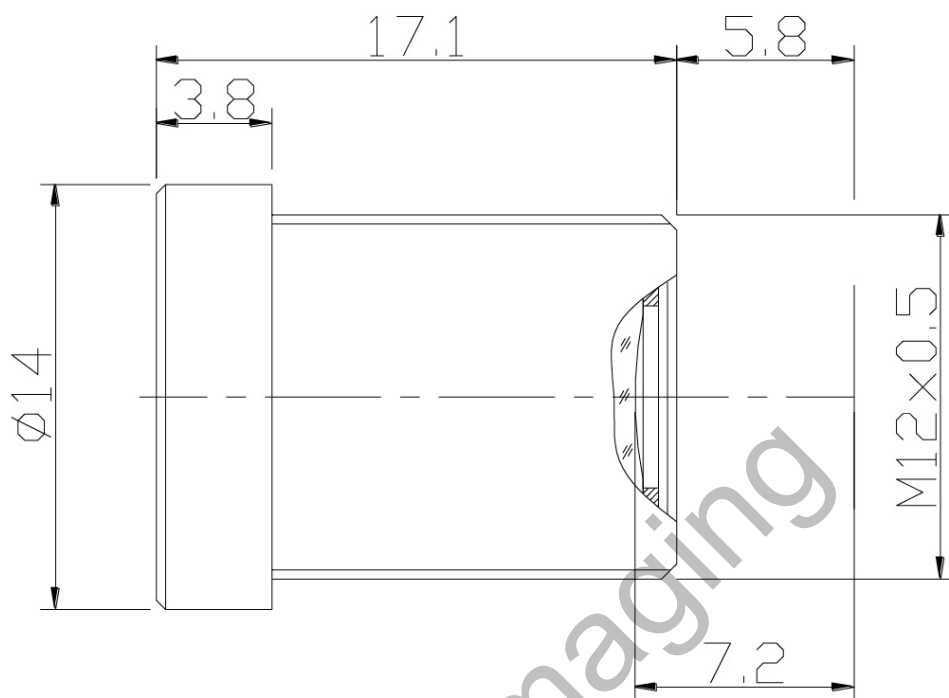


Lensagon B3M12016C



The S-Mount lens Lensagon B3M12016C is suitable for common sensors up to 3 megapixel with an image format of 1/2.5 inch. Infrared radiation is filtered reliably through the built-in IR cut filter.

Technical Data

Mount	S-Mount
Sensor	1/2.5 inch
Focal Length	12 mm
Aperture	2.3
MOD	0.3 m
Back Focal	7.1 mm
Angle of View	D:36° H:28° V:21°
Megapixel	3 MP
Filter	IR Cut
IR Cut	Yes
Weight	5 g
Iris	fixed
Focus	fixed
Typ	Standard

SEDECO
IMAGING

Germany, Austria, Switzerland
Sedeco Imaging GmbH
Unterer Dammweg 12
76149 Karlsruhe
Germany
T. +49 721 5604 7980
info@sedeco-imaging.com

BeNeLux
Sedeco Imaging B.V.
Trasmolenlaan 12
3447 GZ Woerden
the Netherlands
T. +31 348 749110
info@sedeco-imaging.nl

www.sedeco-imaging.com



3 Megapixel

IR IR Cut Filter