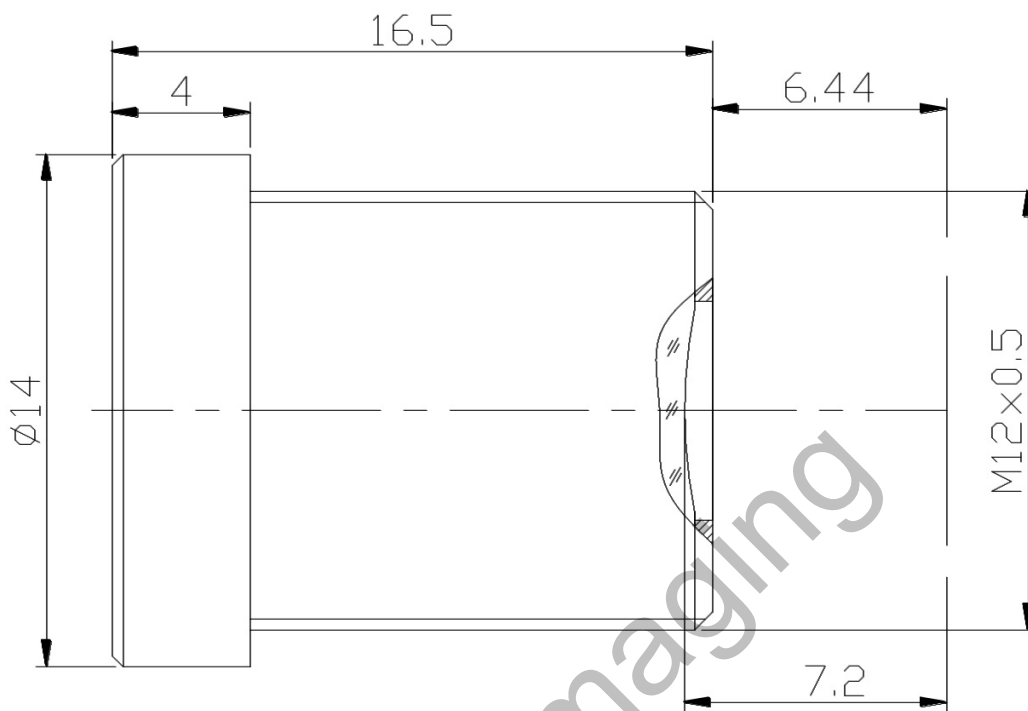


Lensagon B3M12016



The S-Mount lens Lensagon B3M12016 is suitable for common sensors up to 3 megapixel with an image format of 1/2.5 inch.

Technical Data

Mount	S-Mount
Sensor	1/2.5 inch
Focal Length	12 mm
Aperture	2.3
MOD	0.3 m
Back Focal	7.2 mm
Angle of View	D:36° H:28° V:21°
Megapixel	3 MP
IR Cut	corrected
Distortion	-6 %
Weight	5 g
Iris	fixed
Focus	fixed
Typ	Standard

SEDECO
IMAGING

Germany, Austria, Switzerland
Sedeco Imaging GmbH
 Unterer Dammweg 12
 76149 Karlsruhe
 Germany
 T. +49 721 5604 7980
 info@sedeco-imaging.com

BeNeLux
Sedeco Imaging B.V.
 Trasmolenlaan 12
 3447 GZ Woerden
 the Netherlands
 T. +31 348 749110
 info@sedeco-imaging.nl

www.sedeco-imaging.com



3 Megapixel