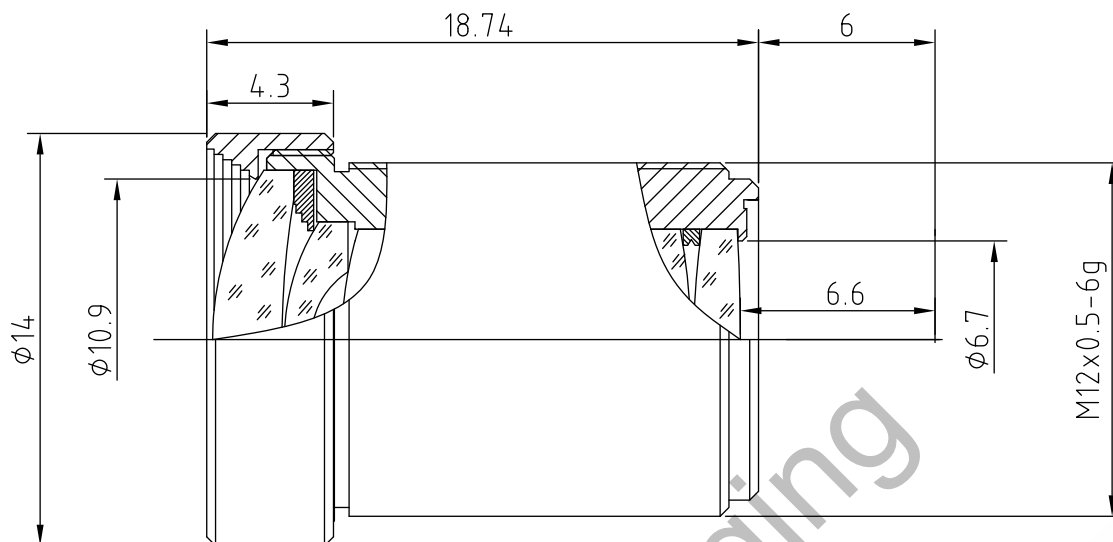


# Lensagon B10M5425



The S-Mount lens Lensagon B10M5425 is suitable for current sensors up to 10 megapixel with an image format of 1/2.3 inch.

## Technical Data

Mount	S-Mount
Sensor	1/2.3 inch
Focal Length	5.4 mm
Aperture	2.5
MOD	0.2 m
Back Focal	6.6 mm
Angle of View	D:70° H:60° V:46°
Megapixel	10 MP
IR Cut	corrected
Distortion	-2 %
Weight	6.5 g
Iris	fixed
Focus	fixed
Typ	Standard

**SEDECO**  
IMAGING

Germany, Austria, Switzerland  
**Sedeco Imaging GmbH**  
 Unterer Dammweg 12  
 76149 Karlsruhe  
 Germany  
 T. +49 721 5604 7980  
 info@sedeco-imaging.com

BeNeLux  
**Sedeco Imaging B.V.**  
 Trasmolenlaan 12  
 3447 GZ Woerden  
 the Netherlands  
 T. +31 348 749110  
 info@sedeco-imaging.nl

[www.sedeco-imaging.com](http://www.sedeco-imaging.com)



**10** Megapixel