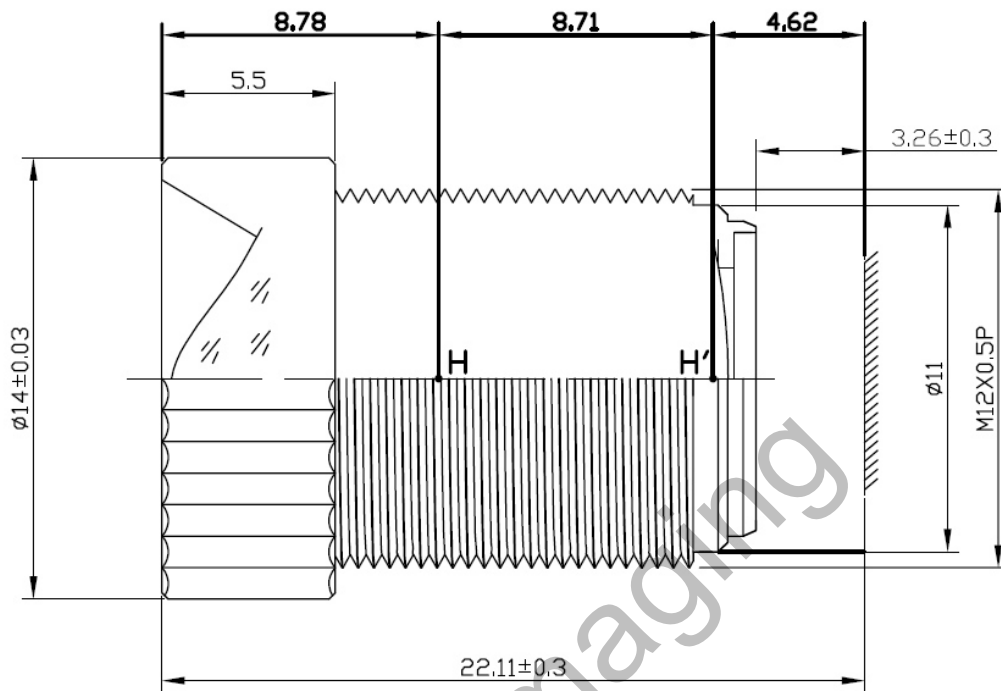


B10M45545ND



The S-Mount lens Lensagon B10M45545ND is suitable for current sensors up to 10 megapixel with an image format of 1/2.3 inch.

Technical Data	
Mount	S-Mount
Sensor	1/2.3 inch
Focal Length	4.55 mm
Aperture	4.5
MOD	0.1 m
Back Focal	5.25 mm
Angle of View	D:81.7° H:° V:°
Megapixel	10 MP
IR Cut Filter	No
Optical Distortion	0.5 %
Weight	8.2 g
Iris	fixed
Focus	fixed
Chief ray angle	9.3 °



Germany, Austria, Switzerland
Sedeco Imaging GmbH
 Unterer Dammweg 12
 76149 Karlsruhe
 Germany
 T. +49 721 5604 7980
 info@sedeco-imaging.com

BeNeLux
Sedeco Imaging B.V.
 Trasmolenlaan 12
 3447 GZ Woerden
 the Netherlands
 T. +31 348 749110
 info@sedeco-imaging.nl

www.sedeco-imaging.com



10 Megapixel