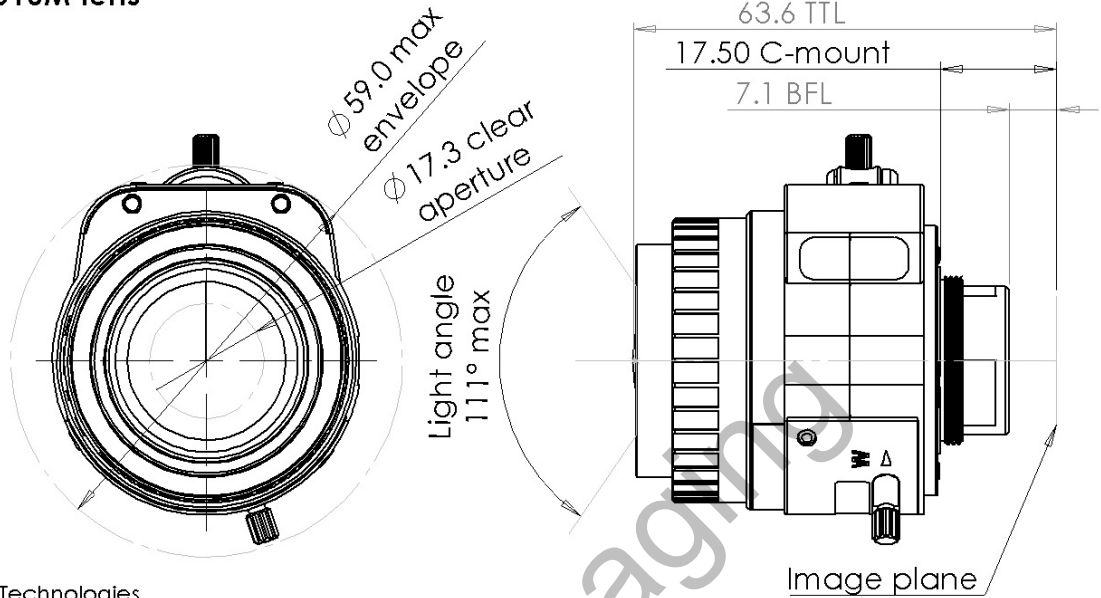


# Theia ML610M

## ML610M lens



Theia Technologies  
MDP 8/21/2018



The C-Mount lens Theia ML610M is suitable for current sensors up to 12 megapixel with an image format of 2/3 inch. It is characterized by a particularly high light intensity.

### Technical Data

Sensor	2/3 inch
Focal Length	6 mm
max. Focal Length	10 mm
Aperture	1.6
MOD	0.1 m
Angle of View	D:111° H:87° V:64°
Megapixel	12 MP
Image Circle	11 mm
Weight	70 g

**SEDECO**  
IMAGING

Germany, Austria, Switzerland

Sedeco Imaging GmbH  
Unterer Dammweg 12  
76149 Karlsruhe  
Germany  
T. +49 721 5604 7980  
info@sedeco-imaging.com

BeNeLux

Sedeco Imaging B.V.  
Trasmolenlaan 12  
3447 GZ Woerden  
the Netherlands  
T. +31 348 749110  
info@sedeco-imaging.nl

[www.sedeco-imaging.com](http://www.sedeco-imaging.com)



Light Sensitive



12 Megapixel