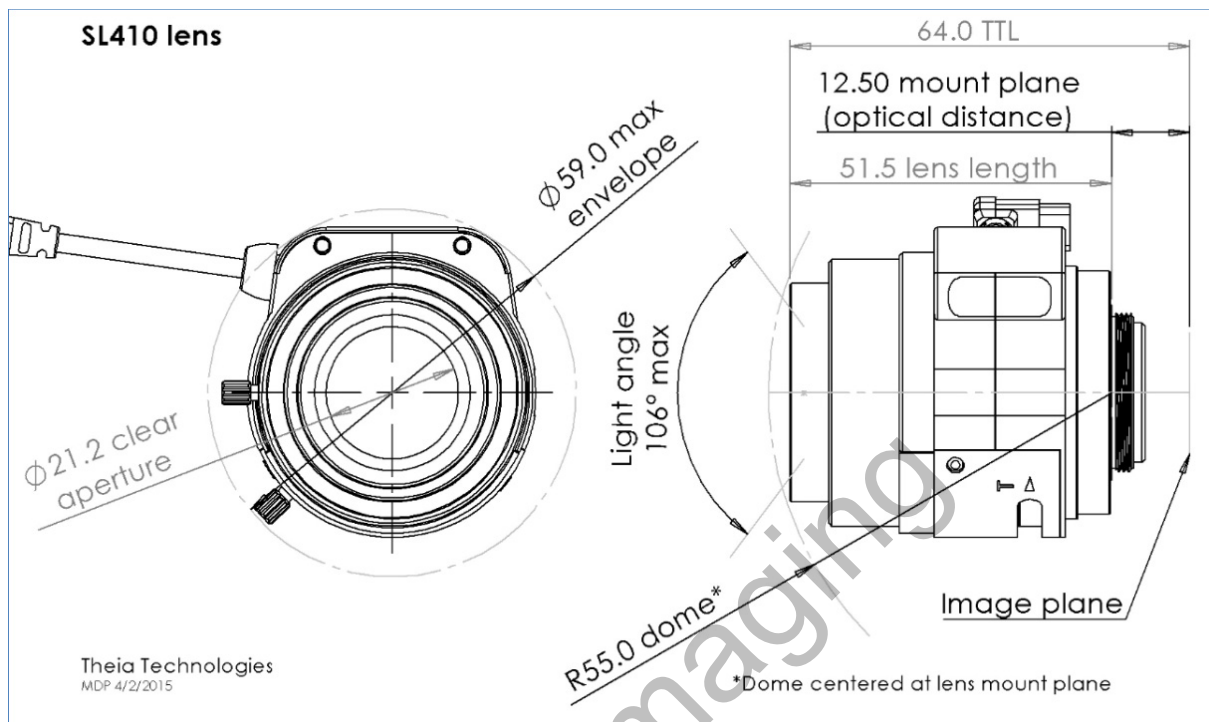


Theia ML410M



The C-Mount lens Theia ML410M is suitable for current sensors up to 12 megapixel with an image format of 1/1.7 inch. It is characterized by a particularly high light intensity.

Technical Data

Sensor	1/1.7 inch
Focal Length	4 mm
max. Focal Length	10 mm
Aperture	1.6
MOD	0.1 m
Angle of View	D:111° H:87° V:64°
Megapixel	12 MP
Image Circle	11 mm
Weight	70 g

SEDECO
IMAGING

Germany, Austria, Switzerland

Sedeco Imaging GmbH
Unterer Dammweg 12
76149 Karlsruhe
Germany
T. +49 721 5604 7980
info@sedeco-imaging.com

BeNeLux

Sedeco Imaging B.V.
Trasmolenlaan 12
3447 GZ Woerden
the Netherlands
T. +31 348 749110
info@sedeco-imaging.nl

www.sedeco-imaging.com



Light Sensitive



12 Megapixel