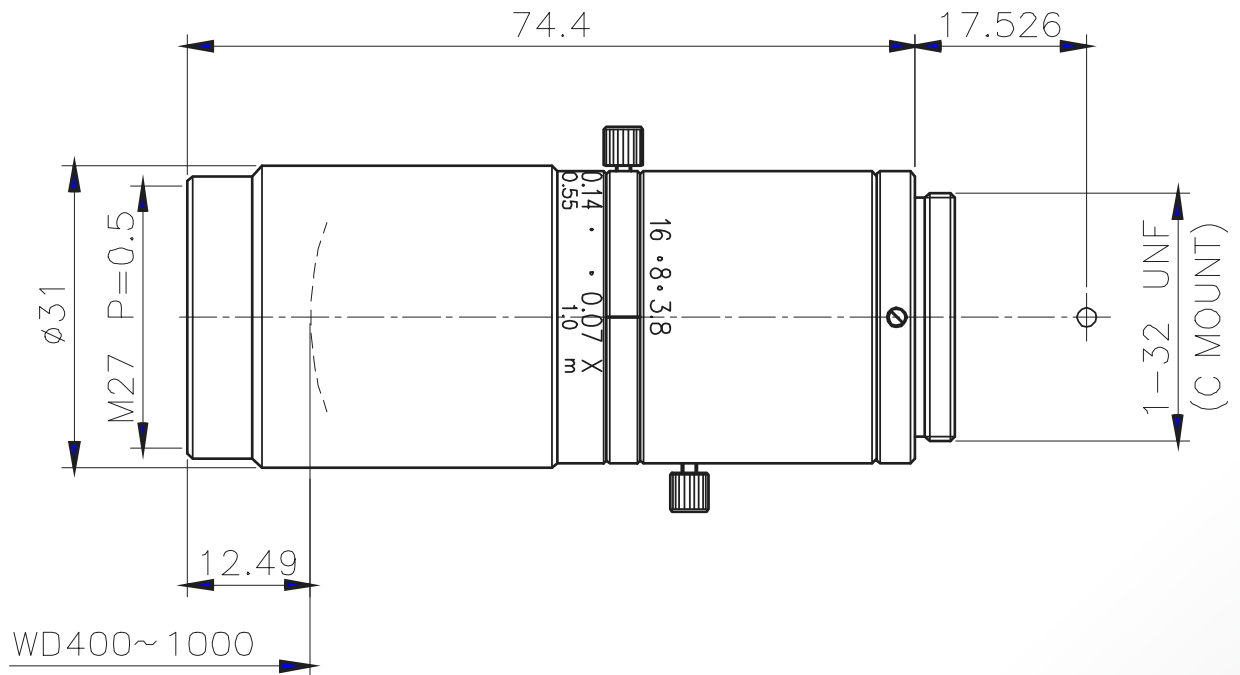


CMFA7538ND



The C-Mount lens Lensagon CMFA7538ND is suitable for common sensors up to 1 megapixel with an image format of 2/3 inch.

Technical Data	
Mount	C-Mount
Sensor	2/3 inch
Focal Length	75 mm
Aperture	3.8
MOD	0.4 m
Megapixel	1-2 MP
Filter	M27 P=0.5
IR Cut	No
Distortion	-0.01 %
Weight	95 g
Iris	manual-lock
Focus	manual-lock



1 Megapixel