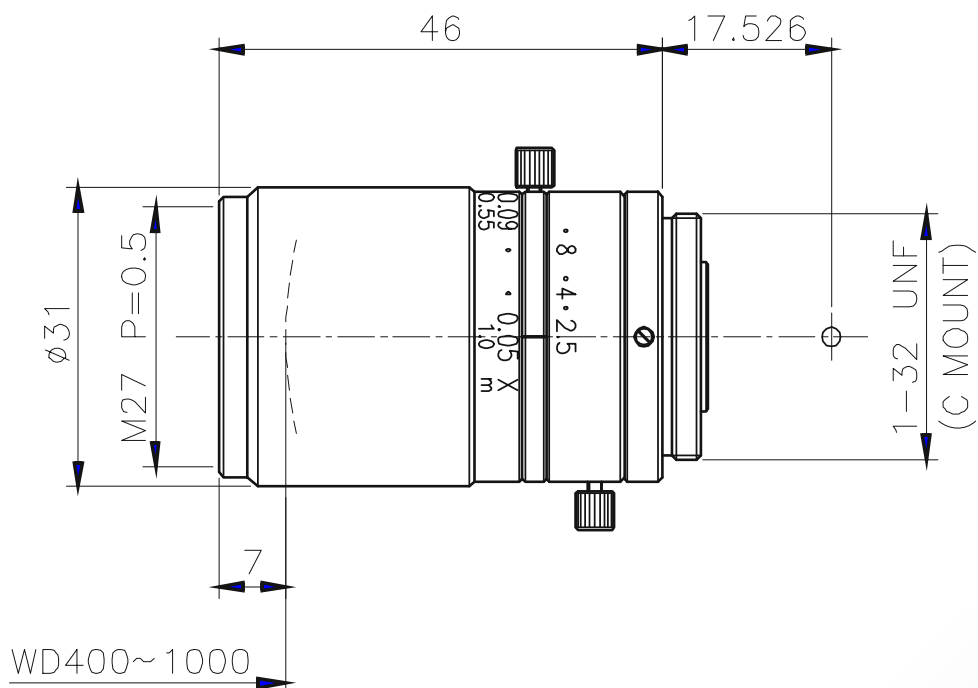


CMFA5025ND



The C-Mount lens Lensagon CMFA5025ND is suitable for common sensors up to 1 megapixel with an image format of 2/3 inch.

Technical Data

Mount	C-Mount
Sensor	2/3 inch
Focal Length	50 mm
Aperture	2.5
MOD	0.4 m
Megapixel	1-2 MP
Filter	M27 P=0.5
IR Cut	No
Distortion	-0.03 %
Iris	manual-lock
Focus	manual-lock



1

Megapixel