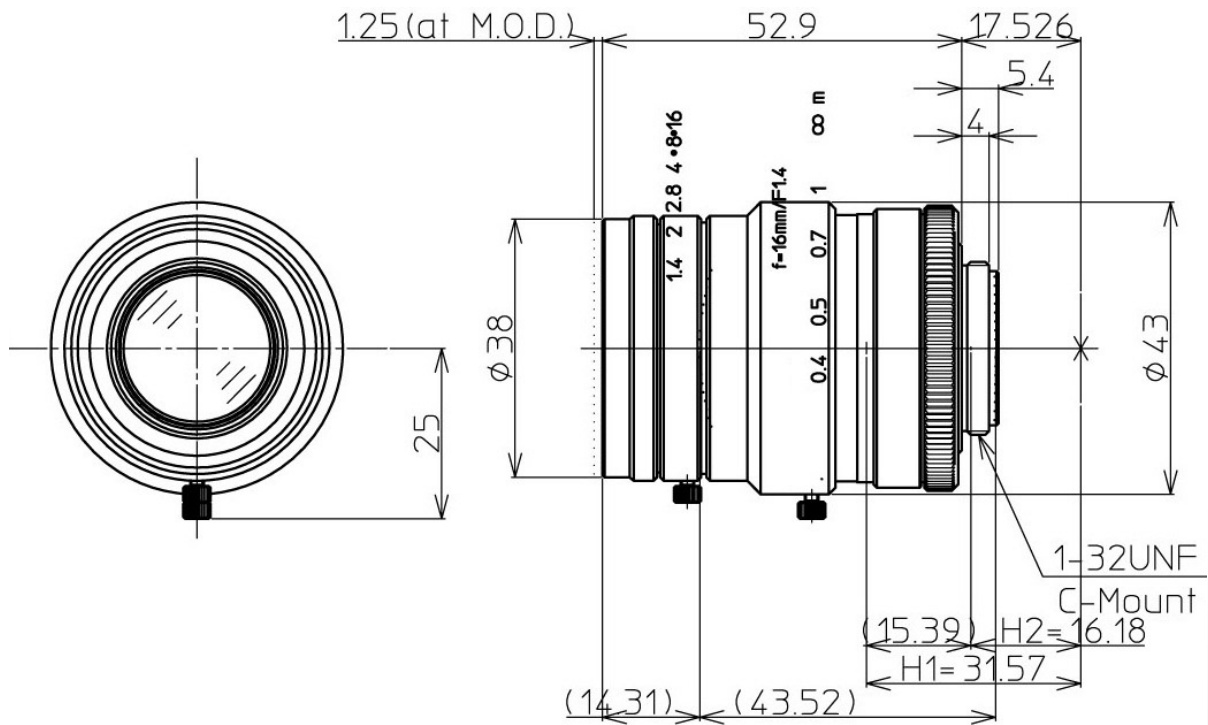


# Lensagon CM1614GS



The C-Mount lens Lensagon CM1614GS is suitable for common sensors up to 1 megapixel with an image format of 1 inch. It is characterized by a particularly high light intensity.

## Technical Data

Mount	C-Mount
Sensor	1 inch
Focal Length	16 mm
Aperture	1.4
MOD	0.3 m
Back Focal	12.6 mm
Megapixel	1-2 MP
IR Cut	No
Distortion	-1 %
Weight	150 g
Iris	manual-lock
Focus	manual-lock
Typ	Standard



Light Sensitive



1 Megapixel