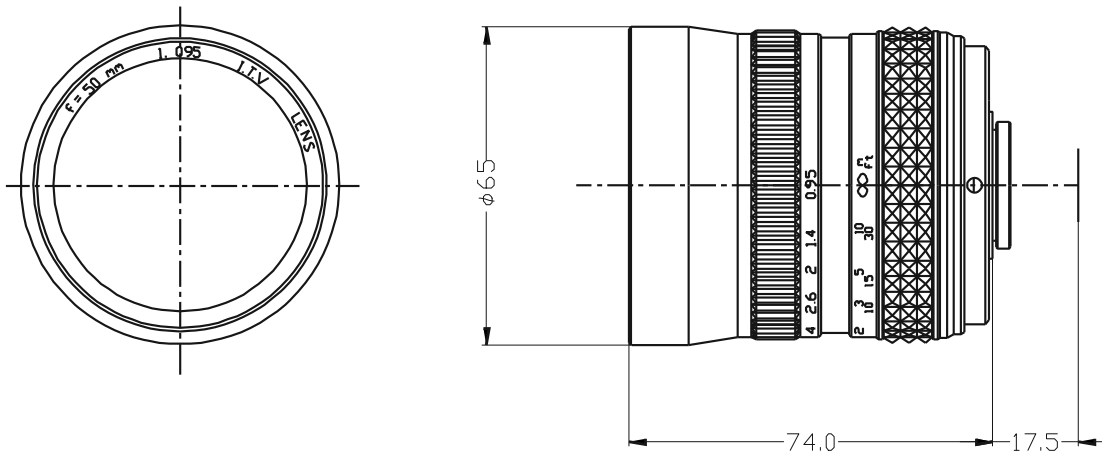


# Lensagon CHS50095



The C-Mount lens Lensagon CHS50095 is suitable for common sensors up to 1 megapixel with an image format of 1 inch. It is characterized by a particularly high light intensity.

## Technical Data

Mount	C-Mount
Sensor	1 inch
Focal Length	50 mm
Aperture	0.95
Back Focal	25.62 mm
Angle of View	D:18.2° H:14.6° V:11°
Megapixel	1-2 MP
IR Cut	No
Weight	470 g
Iris	manual
Focus	manual
Typ	Standard



Light Sensitive



1 Megapixel