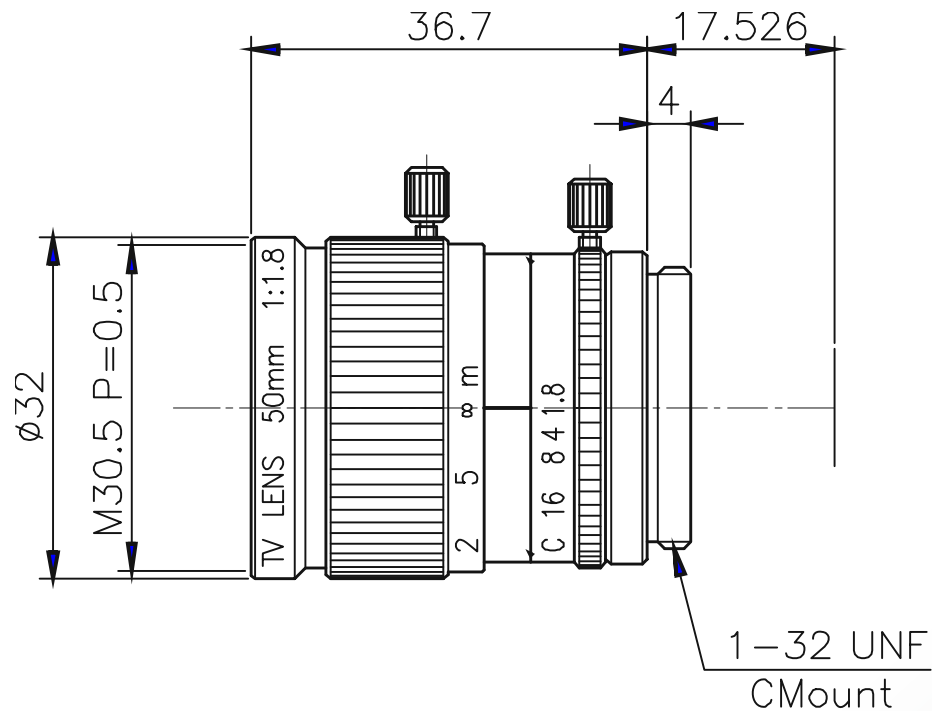


# Lensagon CY5018



The C-Mount lens Lensagon CY5018 is suitable for sensors below 1 megapixel with an image format of 2/3 inch. It is characterized by a particularly high light intensity.

## Technical Data

Mount	C-Mount
Sensor	2/3 inch
Focal Length	50 mm
Aperture	1.8
MOD	1 m
Back Focal	13.94 mm
Megapixel	0.4 MP
Filter	M30.5 P=0.5
IR Cut	No
Weight	55 g
Iris	manual-lock
Focus	manual-lock
Typ	Standard

