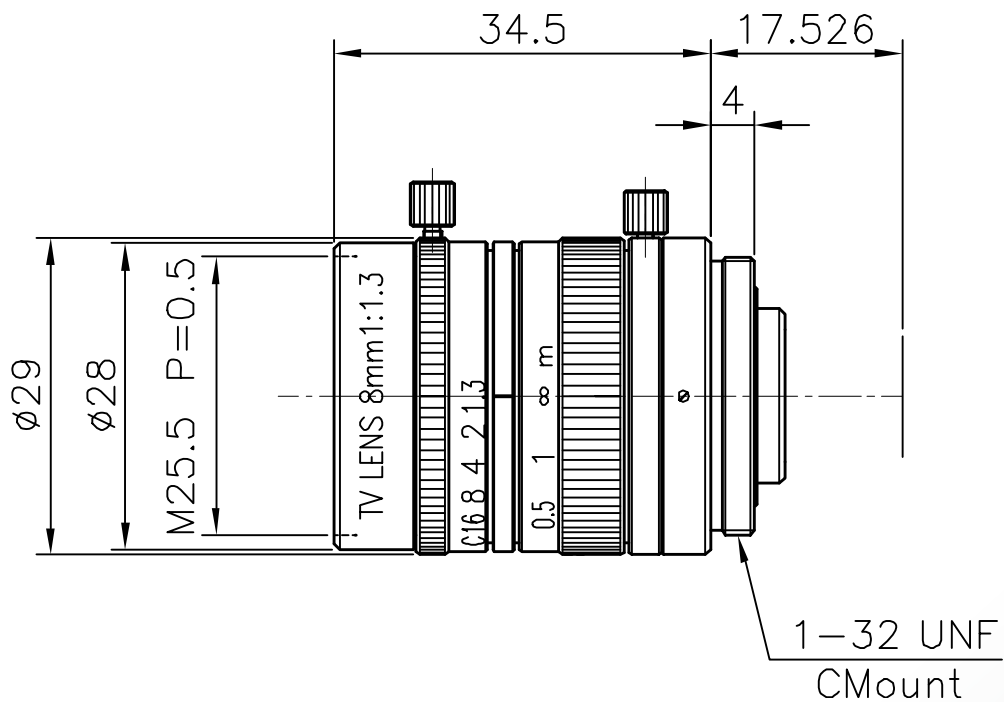


Lensagon CY0813



The C-Mount lens Lensagon CY0813 is suitable for sensors below 1 megapixel with an image format of 2/3 inch. It is characterized by a particularly high light intensity.

| Technical Data | |
|----------------|-------------|
| Mount | C-Mount |
| Sensor | 2/3 inch |
| Focal Length | 8 mm |
| Aperture | 1.3 |
| MOD | 0.2 m |
| Back Focal | 10.99 mm |
| Megapixel | 0.4 MP |
| Filter | M25.5 P=0.5 |
| IR Cut | No |
| Weight | 62 g |
| Iris | manual-lock |
| Focus | manual-lock |
| Typ | Standard |

