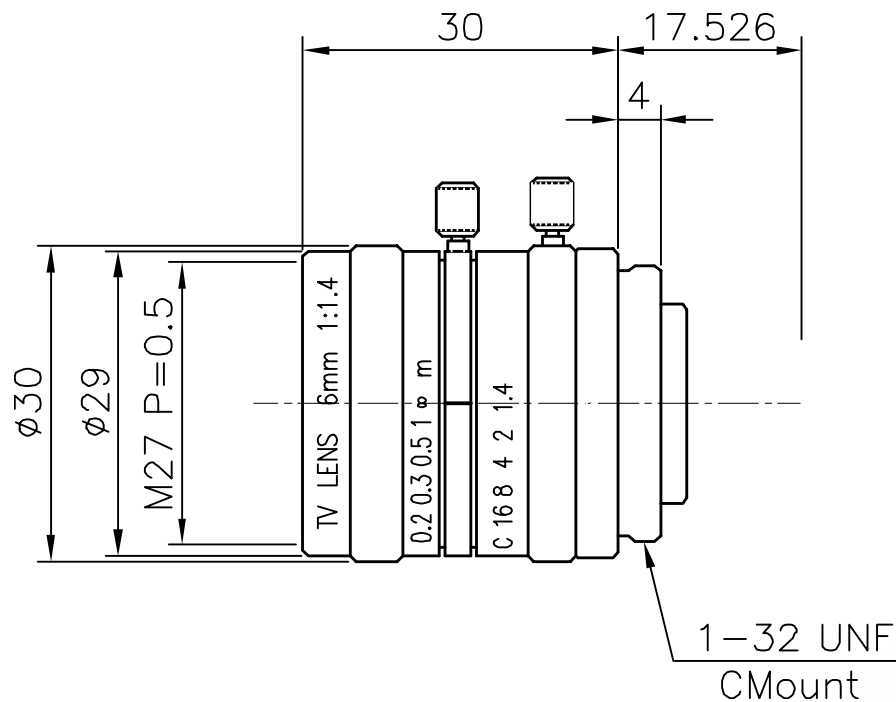


Lensagon CY0614



The C-Mount lens Lensagon CY0614 is suitable for sensors below 1 megapixel with an image format of 1/2 inch. It is characterized by a particularly high light intensity.

Technical Data

Mount	C-Mount
Sensor	1/2 inch
Focal Length	6 mm
Aperture	1.4
MOD	0.2 m
Back Focal	11.28 mm
Megapixel	0.4 MP
Filter	M27 P=0.75
IR Cut	No
Weight	60 g
Iris	manual-lock
Focus	manual-lock
Typ	Standard



Light Sensitive

