

MVL-HT-07-110C

0.7 x 110mm 1/2" TELECENTRIC LENS

HT series Telecentric Lens are designed for machine vision application with excellent imaging quality, magnification range from 0.5x to 2.0x, working distance range from 65mm to 150mm, optional point light interface.

Key Features

- High resolution and uniformity of image definition
- Low optical distortion and high telecentricity, more suitable for high precision measurement application
- Excellent anti-vibration performance and stability performance in temperature variation
- Image size compatible with 1/1.8"

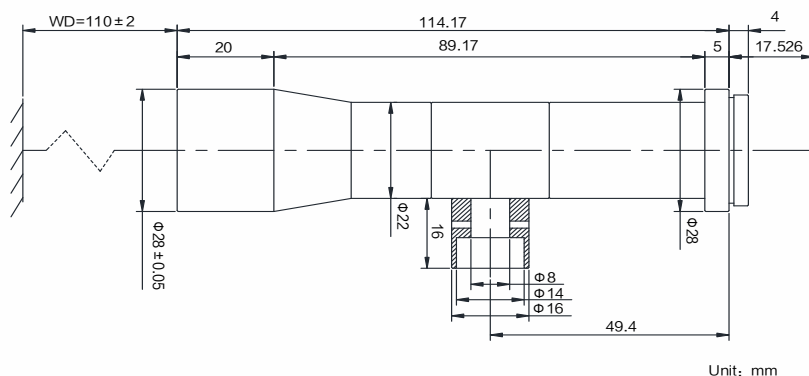


Specification

Model		MVL-HT-07-110C			
Parameter		0.7x 110mm 1/2" TELECENTRIC LENS			
Magnification	0.7x	Working Distance	110±2mm		
Depth of Field*	1.63mm	Resolution	9.59μm		
Optical Distortion	≤ 0.12%	Telecentricity	≤ 0.1°		
F-Number	F10	Object Space NA	0.035		
Image Size	Φ8.4mm	Object-image Distance	241.7 ± 2mm		
Mount	C-Mount	Dimension	114.17mm × 28mm		
Operating Temperature (°C)	-10~50°C	Weight	101g		
Field of View (mm)	D	8.57	1/2"	11.43	12.71
	H	6.86		9.14	10.29
	V	5.14		6.86	7.57

*The Depth of Field is the theoretical calculated value when the diameter of the maximum confusion circle is 40μm.

Dimension



SEDECO
IMAGING

<p>Germany, Austria, Switzerland Sedeco Imaging GmbH Unterer Dammweg 12 76149 Karlsruhe Germany T. +49 721 5604 7980 info@sedeco-imaging.com</p>	<p>BeNeLux Sedeco Imaging B.V. Trasmolenlaan 12 3447 GZ Woerden the Netherlands T. +31 348 749110 info@sedeco-imaging.nl</p>
---	---

www.sedeco-imaging.com