

## MVL-HT-065-150C

### 0.65 x 150mm 1/2" TELECENTRIC LENS

HT series Telecentric Lens are designed for machine vision application with excellent imaging quality, magnification range from 0.5x to 2.0x, working distance range from 65mm to 150mm, optional point light interface.



### Key Features

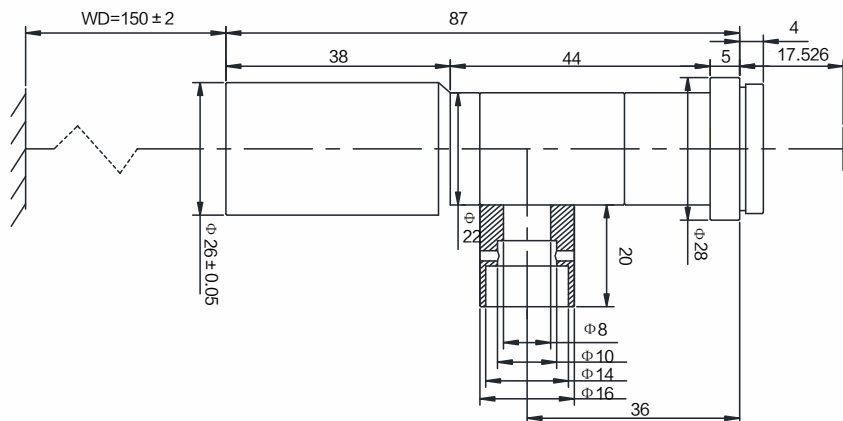
- High resolution and uniformity of image definition
- Low optical distortion and high telecentricity, more suitable for high precision measurement application
- Excellent anti-vibration performance and stability performance in temperature variation
- Image size compatible with 1/1.8"

### Specification

Model		MVL-HT-065-150C			
Parameter		0.65x 150mm 1/2" TELECENTRIC LENS			
Magnification	0.65x	Working Distance	150±2mm		
Depth of Field*	1.78mm	Resolution	9.7μm		
Optical Distortion	≤ 0.2%	Telecentricity	≤ 0.1°		
F-Number	F9.4	Object Space NA	0.035		
Image Size	Φ8.4mm	Object-image Distance	256.53 ± 2mm		
Mount	C-Mount	Dimension	87mm × 26mm		
Operating Temperature	-10~50°C	Weight	88g		
Field of View (mm)	D	9.23	1/2"	12.31	13.69
	H	7.38		9.85	11.08
	V	5.54		7.38	8.15

\*The Depth of Field is the theoretical calculated value when the diameter of the maximum confusion circle is 40μm.

### Dimension



Unit : mm

**SEDECO**  
IMAGING

Germany, Austria, Switzerland  
Sedeco Imaging GmbH  
Unterer Dammweg 12  
76149 Karlsruhe  
Germany  
T. +49 721 5604 7980  
info@sedeco-imaging.com

BeNeLux  
Sedeco Imaging B.V.  
Trasmolenlaan 12  
3447 GZ Woerden  
the Netherlands  
T. +31 348 749110  
info@sedeco-imaging.nl

[www.sedeco-imaging.com](http://www.sedeco-imaging.com)