

## MV-CH290-60GM/GC

29 MP 36 mm x 24 mm CCD, GigE Camera

### Introduction

MV-CH290-60GM/GC is a high quality device that can be used in a variety of applications, including SMT/PCB AOI, FPD, railway related applications and etc.



**GEN<i>i>CAM**

**GigE**  
VISION

### Key Feature

- 29 MP resolution, and pixel size of 5.5  $\mu\text{m}$
- Adopts GigE interface and max. transmission distance of 100 meters without relay
- Up to 128 MB local memory for burst transmission and retransmission
- High quality CCD sensor with ultra-high signal-to-noise ratio, wide dynamic range, excellent imaging quality
- Compact construction design with mounting holes on the up and bottom panels for flexible mounting

### Accessories

- Power: 12 VDC @2A power adapter or switching power
- NIC: Intel Pro1000 or above version recommended
- CAT5e or CAT6 network cable recommended

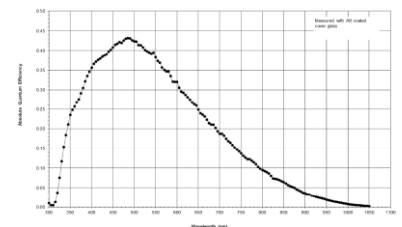
### Applicable Industry

SMT/ PCB AOI, FPD, railway related applications, etc.

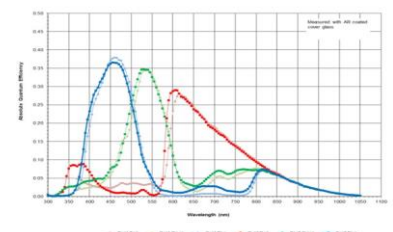
### Available Model

- M58-mount without fan, Mono: MV-CH290-60GM-M58S-NN
- M58-mount with fan, Mono: MV-CH290-60GM-M58S-NF
- F-mount with fan, Mono: MV-CH290-60GM-F-NF
- M58-mount without fan, Color: MV-CH290-60GC-M58S-NN
- M58-mount with fan, Color: MV-CH290-60GC-M58S-NF
- F-mount with fan, Color: MV-CH290-60GC-F-NF

### Sensor Quantum Efficiency



MV-CH290-60GM



MV-CH290-60GC

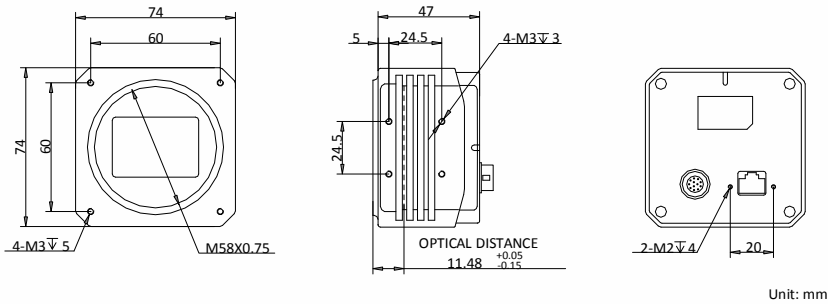


## Specification

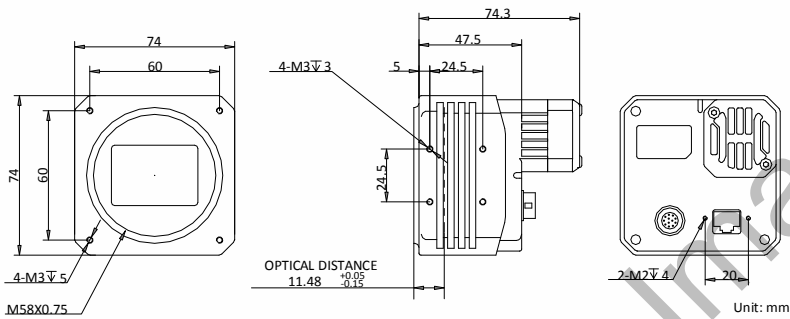
	Model	MV-CH290-60GM	MV-CH290-60GC
Parameters		29 MP 36 mm x 24 mm CCD GigE Camera	
<b>Camera</b>			
Sensor type		CCD, global shutter	
Sensor model		KAI29050	
Pixel size		5.5 μm × 5.5 μm	
Sensor size		36 mm x 24 mm	
Resolution		6576 × 4384	
Frame rate		4 fps	
Dynamic range		64 dB	
SNR		40 dB	
Gain		0 dB to 20 dB	
Exposure time		110 μs to 1 s	
Shutter mode		Off/Once/Continuous exposure mode	
Pixel format		Mono 8/10/10p/12/12p	Mono 8/10/12 Bayer RG 8/10/10p/12/12p, YUV 422 Packed, YUV422_YUYV_Packed, RGB 8
Reverse image		Supports horizontal reverse image output	
Image buffer		128 MB	
<b>Electrical features</b>			
Data interface		Gigabit Ethernet	
Digital I/O		12-pin IO, opto-isolated input x 1, opto-isolated output x 1, bi-directional non-isolated I/O x 1, RS232 x 1, and full-duplex RS485 x 1	
Power supply		12VDC @2A power adapter or switching power	
Power consumption		< 12 W@12 VDC	
<b>Structure</b>			
Lens mount		M58-mount, optical back focal length 11.48 mm (0.5") F-mount, optical back focal length 46.5 mm (1.8")	
Dimension		M58-mount without cooling fan: 74 mm × 74 mm × 47 mm (2.9" × 2.9" × 1.9") M58-mount with cooling fan: 74 mm × 74 mm × 74.3 mm (2.9" × 2.9" × 2.9") F-mount with cooling fan: 74 mm × 74 mm × 81.7 mm (2.9" × 2.9" × 3.2")	
Weight		M58-mount with cooling fan: < 410 g (0.9 lb.) M58-mount with cooling fan: < 450 g (1.0 lb.) F-mount with cooling fan: < 600 g (1.3 lb.)	
Ingress protection		IP40 (under proper lens installation and wiring)	
Temperature		Working temperature: 0 °C to 50 °C (32 °F to 122 °F) Storage temperature: -30 °C to 70 °C (-22 °F to 158 °F)	
Humidity		20% to 80% RH, without condensation	
<b>General</b>			
Client software		MVS or third-party software meeting with GigE Vision Protocol	
Operating system		32/64-bit Windows XP/7/10, 32/64-bit Linux and 64-bit MacOS	
Compatibility		GigE Vision	
Certification		CE, FCC, RoHS, KC	

## Dimension

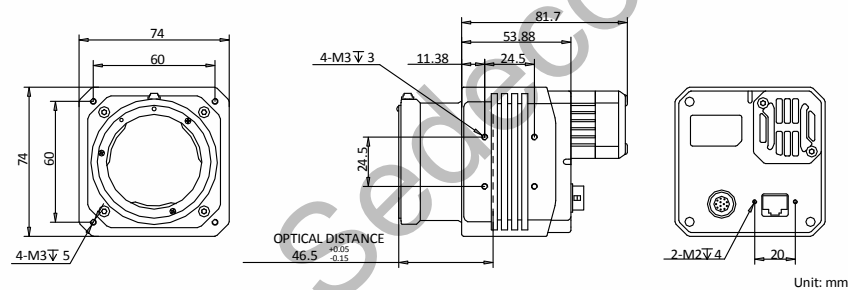
M58-mount without fan:



M58-mount with fan:



F-mount with fan:



**SEDECO**  
IMAGING

Germany, Austria, Switzerland

Sedeco Imaging GmbH  
Unterer Dammweg 12  
76149 Karlsruhe  
Germany  
T. +49 721 5604 7980  
info@sedeco-imaging.com

BeNeLux

Sedeco Imaging B.V.  
Trasmolenlaan 12  
3447 GZ Woerden  
the Netherlands  
T. +31 348 749110  
info@sedeco-imaging.nl

[www.sedeco-imaging.com](http://www.sedeco-imaging.com)