

MV-CH250-21GM/GC

25 MP CMOS GigE Area Scan Camera

Introduction

MV-CH250-21GM/GC camera adopts OnSemi PYTHON25K sensor to provide high-quality image. It uses GigE interface to transmit non-compressed images in real time with max. frame rate reaching 4.64 fps.



Key Feature

- Resolution of 5120 × 5120 and pixel size of 4.5 μm × 4.5 μm
- Adopts GigE interface providing max. transmission distance of 100 meters without relay
- Adopts local memory for burst transmission and retransmission
- Compact design with mounting holes on the up and bottom panels for flexible mounting
- Compatible with GigE Vision V2.0 Protocol, GenICam Standard, and the third-party software based on these protocol and standard

GEN*i*CAM

GigE
VISION

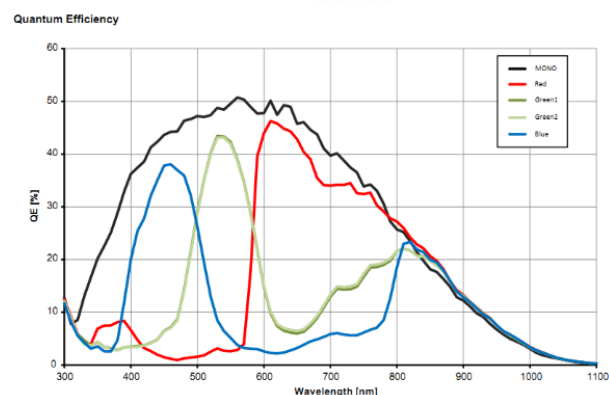
Applicable Industry

SMT/ PCB AOI, FPD, railway related applications, etc.

Available Model

- M58-mount with fan, mono camera: MV-CH250-21GM-M58S-NF
- F-mount with fan, mono camera: MV-CH250-21GM-F-NF
- M58-mount with fan, color camera: MV-CH250-21GC-M58S-NF
- F-mount with fan, color camera: MV-CH250-21GC-F-NF

Sensor Quantum Efficiency

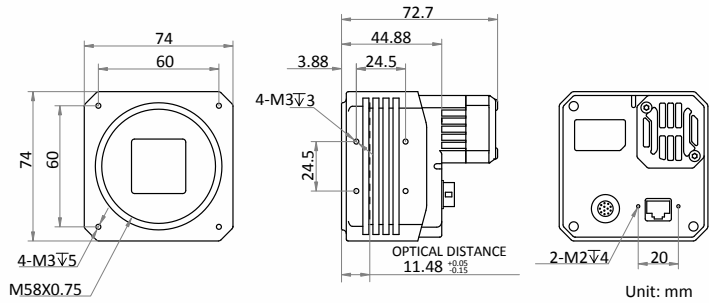


Specification

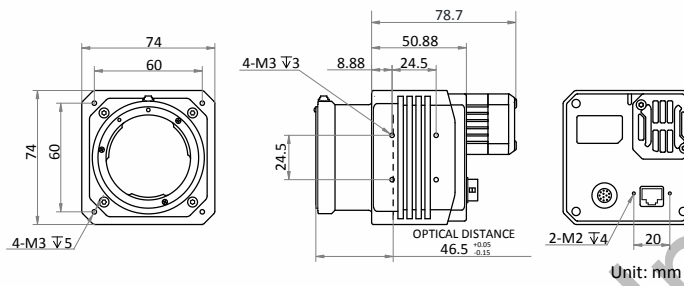
Model	MV-CH250-21GM	MV-CH250-21GC
Camera		
Sensor type	CMOS, global shutter	
Sensor model	OnSemi PYTHON25K	
Pixel size	4.5 μm × 4.5 μm	
Sensor size	23 mm x 23 mm	
Resolution	5120× 5120	
Frame rate	4.64 fps	
Dynamic range	58 dB	
SNR	41 dB	
Gain	0 dB to 15 dB	
Exposure time	80 μs to 10 s	
Shutter mode	Off/Once/Continuous exposure mode	
Pixel format	Mono 8/10/10p/12/12p	Mono 8/10/12, Bayer RG 8/10/10p/12/12p, YUV422Packed, YUV422_YUYV_Packed
Binning	Supports 2 × 2, 4 × 4	Not support
Decimation	Supports 2 × 2	
Reverse image	Supports horizontal and vertical reverse image output	
Electrical features		
Data interface	Gigabit Ethernet	
Digital I/O	12-pin Hirose connector provides power and I/O, including opto-isolated input x 1 (Line0), opto-isolated output x 1 (Line1), bi-directional non-isolated I/O x 1 (Line2), RS232 x 1, and full-duplex RS485 x 1	
Power supply	9 VDC to 13 VDC	
Power consumption	< 6.7 W@12 VDC	< 7.8 W@12 VDC
Structure		
Lens mount	M58-mount, optical back focal length 11.48 mm (0.45") F-mount, optical back focal length 46.5 mm (1.8")	
Dimension	M58-mount with fan: 74 mm × 74 mm × 72.7 mm (2.9" × 2.9" × 2.86") F-mount with fan: 74 mm × 74 mm × 78.7 mm (2.9" × 2.9" × 3.1")	
Weight	M58-mount with fan: < 450 g (1.0 lb.), F-mount with fan: < 600 g (1.3 lb.)	
Ingress protection	IP40 (under proper lens installation and wiring)	
Temperature	Working temperature: 0 °C to 50 °C (32 °F to 122 °F) Storage temperature: -30 °C to 70 °C (-22 °F to 158 °F)	
Humidity	20% to 95% RH, without condensation	
General		
Client software	MVS or third-party software meeting with GigE Vision Protocol	
Operating system	32/64-bit Windows XP/7/10, 32/64-bit Linux and 64-bit MacOS	
Compatibility	GigE Vision V2.0, GenICam	
Certification	CE, FCC, RoHS, KC	

Dimension

M58-mount with fan:



F-mount with fan:



Sedeco Imaging



Germany, Austria, Switzerland

Sedeco Imaging GmbH
 Unterer Dammweg 12
 76149 Karlsruhe
 Germany
 T. +49 721 5604 7980
 info@sedeco-imaging.com

BeNeLux

Sedeco Imaging B.V.
 Trasmolenlaan 12
 3447 GZ Woerden
 the Netherlands
 T. +31 348 749110
 info@sedeco-imaging.nl

www.sedeco-imaging.com