

MV-CH290-61CM

29 MP CCD CameraLink Area Scan Camera

Introduction

MV-CH290-61CM camera adopts OnSemi KAI-29050 sensor to provide high-quality image. It uses CameraLink interface to transmit non-compressed images in real time with max. frame rate reaching 4.5 fps.



GEN<i>i>CAM

CAMERA Link

Key Feature

- 29 MP resolution, pixel size of 5.5 μm
- High quality CCD sensor with ultra-high signal-to-noise ratio, wide dynamic range, excellent imaging quality
- CameraLink interface, support Base and Medium mode
- Supports serial port communication, and communication protocol RS232
- Compact construction design with mounting holes on the up and bottom panels for flexible mounting

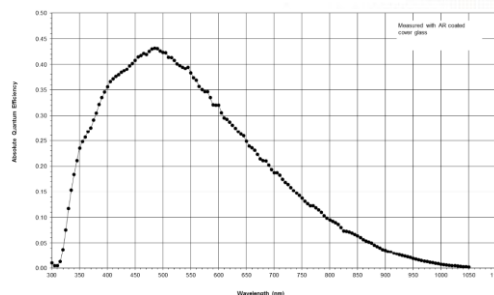
Available Model

- Mono: M58 mount with fan: MV-CH290-61CM-M58S-NF
- Mono: F mount with fan: MV-CH290-61CM-F-NF

Applicable Industry

SMT/PCB AOI, FPD detection, railway related applications, etc.

Sensor Quantum Efficiency

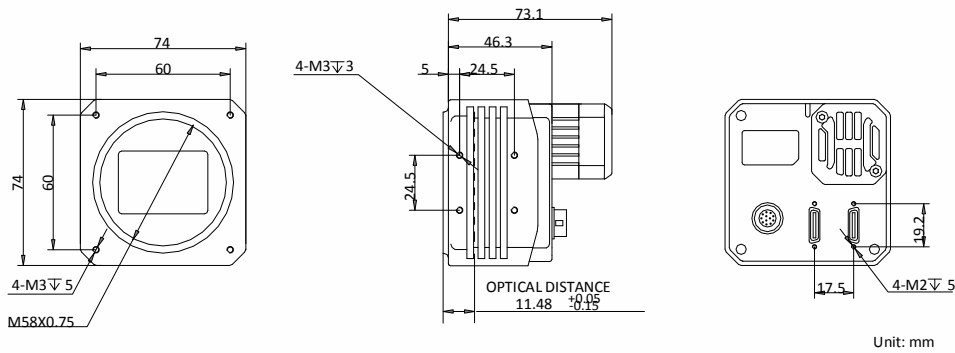


Specification

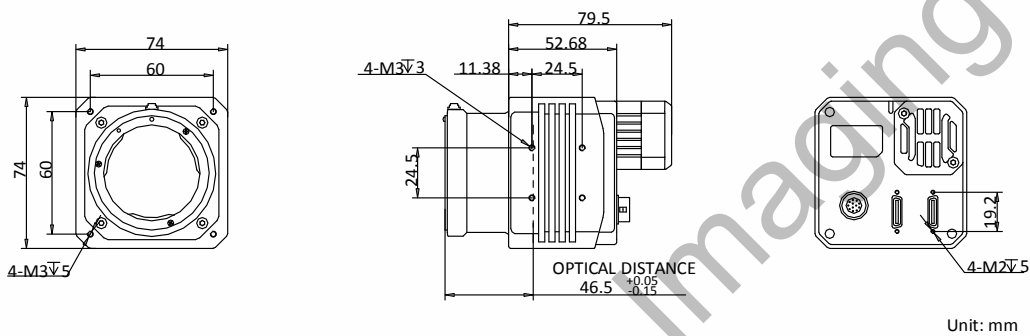
Model	MV-CH290-61CM		
Camera			
Sensor type	CCD, global shutter		
Sensor model	OnSemi KAI-29050		
Pixel size	5.5 μm \times 5.5 μm		
Sensor size	36 mm \times 24 mm		
Resolution	6576 \times 4384		
Pixel clock	85 MHZ		
Configuration mode	Base		Medium
Sensor combination	1X_1Y	1X_2YE	1X2_2YE
Tap number	1 Tap	2 Taps	4 Taps
Frame rate	4.5 fps		
Pixel format	Mono 8/10/12		
Dynamic range	64 dB		
SNR	40 dB		
Gain	0 dB to 20 dB		
Exposure time	110 μs to 2 s		
Shutter mode	Off/Once/Continuous exposure mode		
Mono/color	Mono		
Binning	Supports 1 \times 2, 1 \times 4, 2 \times 1, 2 \times 2, 2 \times 4, 4 \times 1, 4 \times 2, 4 \times 4		
Decimation	Not support		
Reverse image	Supports horizontal reverse image output		
Electrical features			
Data interface	CameraLink with SDR interface		
Digital I/O	12 pin I/O, Opto-isolated input x1, Opto-isolated output x1, Bi-directional non-isolated I/O x1, RS232 x1, full-duplex RS485 x1		
Power supply	12VDC @2A power adapter		
Power consumption	< 11 W@12 VDC		
Structure			
Lens mount	M58 mount, optical back focal length 11.48 mm (0.5") F mount, optical back focal length 46.5 mm (1.8")		
Dimension	M58 mount with fan: 74 mm \times 74 mm \times 73.1 mm (2.9" \times 2.9" \times 2.9") F mount with fan: 74 mm \times 74 mm \times 79.5 mm (2.9" \times 2.9" \times 3.1")		
Weight	M58 mount with fan: < 450 g (1.0 lb.) F mount with fan: < 600 g (1.4 lb.)		
Ingress protection	IP40 (under proper lens installation and wiring)		
Temperature	Working temperature: 0 $^{\circ}\text{C}$ to 50 $^{\circ}\text{C}$ (32 $^{\circ}\text{F}$ to 122 $^{\circ}\text{F}$) Storage temperature: -30 $^{\circ}\text{C}$ to 70 $^{\circ}\text{C}$ (-22 $^{\circ}\text{F}$ to 158 $^{\circ}\text{F}$)		
Humidity	20% to 95% RH, without condensation		
General			
Client software	MVS, frame grabber software meeting with GenICam		
Operating system	32/64-bit Windows XP/7/10		
Compatibility	CameraLink, GenICam		
Certification	CE, FCC, RoHS, KC		

Dimension

M58 Mount with fan :



F Mount with fan :



SEDECO
IMAGING

Germany, Austria, Switzerland

Sedeco Imaging GmbH
Unterer Dammweg 12
76149 Karlsruhe
Germany
T. +49 721 5604 7980
info@sedeco-imaging.com

BeNeLux

Sedeco Imaging B.V.
Trasmolenlaan 12
3447 GZ Woerden
the Netherlands
T. +31 348 749110
info@sedeco-imaging.nl

www.sedeco-imaging.com