

## MV-CH290-60CM

29 MP CCD CameraLink Area Scan Camera

### Introduction

MV-CH290-60CM camera adopts OnSemi KAI-29050 sensor to provide high-quality image. It uses CameraLink interface to transmit non-compressed images in real time with max. frame rate reaching 4.5 fps.



### Key Feature

- Resolution of 6576 × 4384 and pixel size of 5.5 μm × 5.5 μm
- High quality CCD sensor with ultra-high signal-to-noise ratio, wide dynamic range, excellent imaging quality
- Supports configuration modes of Base and Medium via the CameraLink interface
- Supports serial port communication, and communication protocol RS232
- Compact construction design with mounting holes on the up and bottom panels for flexible mounting

**GEN*i*CAM**

**CAMERA  
Link**

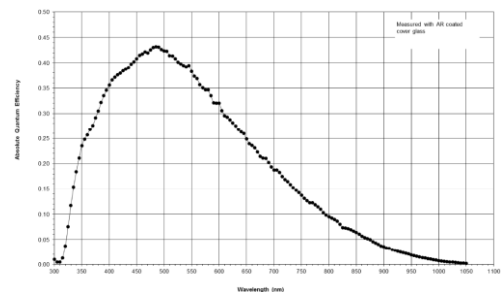
### Available Model

- Mono: M58-mount with fan: MV-CH290-60CM-M58S-NF
- Mono: F-mount with fan: MV-CH290-60CM-F-NF

### Applicable Industry

SMT/ PCB AOI, FPD, railway related applications, etc.

### Sensor Quantum Efficiency

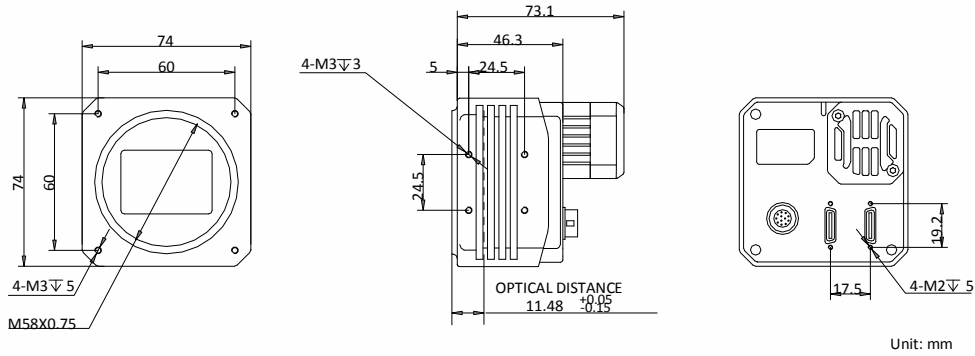


## Specification

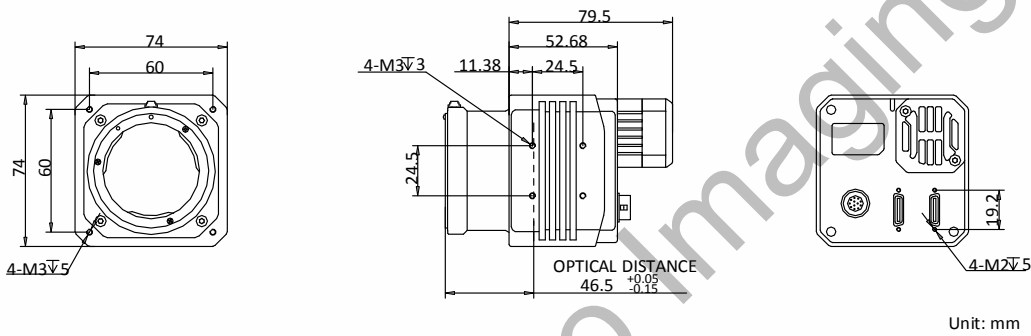
<b>Model</b>	<b>MV-CH290-60CM</b>		
<b>Camera</b>			
<b>Sensor type</b>	CCD, global shutter		
<b>Sensor model</b>	OnSemi KAI-29050		
<b>Pixel size</b>	5.5 $\mu\text{m}$ $\times$ 5.5 $\mu\text{m}$		
<b>Sensor size</b>	36 mm $\times$ 24 mm		
<b>Resolution</b>	6576 $\times$ 4384		
<b>Pixel clock</b>	85 MHz		
<b>Configuration mode</b>	Base		Medium
<b>Sensor combination</b>	1X_1Y	1X_2YE	1X2_2YE
<b>Tap number</b>	1 Tap	2 Taps	4 Taps
<b>Frame rate</b>	4.5 fps		
<b>Pixel format</b>	Mono 8/10/12		
<b>Dynamic range</b>	64 dB		
<b>SNR</b>	40 dB		
<b>Gain</b>	0 dB to 20 dB		
<b>Exposure time</b>	103 $\mu\text{s}$ to 2 s		
<b>Shutter mode</b>	Off/Once/Continuous exposure mode		
<b>Mono/color</b>	Mono		
<b>Binning</b>	Supports 1 $\times$ 2, 1 $\times$ 4, 2 $\times$ 1, 2 $\times$ 2, 2 $\times$ 4, 4 $\times$ 1, 4 $\times$ 2, 4 $\times$ 4		
<b>Decimation</b>	Not support		
<b>Reverse image</b>	Supports horizontal reverse image output		
<b>Electrical features</b>			
<b>Data interface</b>	CameraLink with SDR interface		
<b>Digital I/O</b>	12-pin IO, opto-isolated input $\times$ 1, opto-isolated output $\times$ 1, bi-directional non-isolated I/O $\times$ 1, RS232 $\times$ 1, and full-duplex RS485 $\times$ 1		
<b>Power supply</b>	12 VDC @2A power adapter		
<b>Power consumption</b>	< 11 W@12 VDC		
<b>Structure</b>			
<b>Lens mount</b>	M58-mount, optical back focal length 11.48 mm (0.5") F-mount, optical back focal length 46.5 mm (1.8")		
<b>Dimension</b>	M58-mount with cooling fan: 74 mm $\times$ 74 mm $\times$ 73.1 mm (2.9" $\times$ 2.9" $\times$ 2.9") F-mount with cooling fan: 74 mm $\times$ 74 mm $\times$ 79.5 mm (2.9" $\times$ 2.9" $\times$ 3.1")		
<b>Weight</b>	M58-mount with cooling fan: < 450 g (1.0 lb.) F-mount with cooling fan: < 600 g (1.3 lb.)		
<b>Ingress protection</b>	IP40 (under proper lens installation and wiring)		
<b>Temperature</b>	Working temperature: 0 $^{\circ}\text{C}$ to 50 $^{\circ}\text{C}$ (32 $^{\circ}\text{F}$ to 122 $^{\circ}\text{F}$ ) Storage temperature: -30 $^{\circ}\text{C}$ to 70 $^{\circ}\text{C}$ (-22 $^{\circ}\text{F}$ to 158 $^{\circ}\text{F}$ )		
<b>Humidity</b>	20% to 95% RH, without condensation		
<b>General</b>			
<b>Client software</b>	MVS or frame grabber software meeting with GenICam protocol		
<b>Operating system</b>	32/64-bit Windows XP/7/10		
<b>Compatibility</b>	CameraLink, GenICam		
<b>Certification</b>	CE, FCC, RoHS, KC		

## Dimension

M58-mount with fan:



F-mount with fan:



**SEDECO**  
IMAGING

Germany, Austria, Switzerland

Sedeco Imaging GmbH  
Unterer Dammweg 12  
76149 Karlsruhe  
Germany  
T. +49 721 5604 7980  
info@sedeco-imaging.com

BeNeLux

Sedeco Imaging B.V.  
Trasmolenlaan 12  
3447 GZ Woerden  
the Netherlands  
T. +31 348 749110  
info@sedeco-imaging.nl

[www.sedeco-imaging.com](http://www.sedeco-imaging.com)