

MV-CH1510-10XM-M72-NF

151 MP CMOS CoaXPress Area Scan Camera



GEN*i*CAM

CoaXPress®

Introduction

MV-CH1510-10XM-M72-NF camera adopts Sony® IMX411 sensor to provide high-quality image. It uses CoaXPress interface to transmit non-compressed images in real time with max. frame rate reaching 6.2 fps in full resolution.

Key Feature

- Resolution of 14208 × 10640, and pixel size of 3.76 μm × 3.76 μm
- Adopts rolling shutter CMOS to provide high dynamic range, SNR, and high-quality image
- Adopts CoaXPress interface to transmit data
- Supports Off, Once, Continuous exposure mode, and global reset
- Compatible with CoaXPress Protocol, GenICam Standard, third-party software based on the protocol and standard

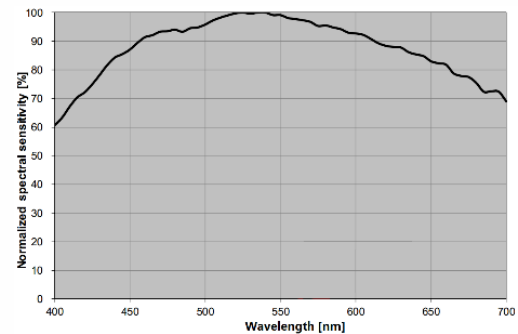
Available Model

Mono camera: MV-CH1510-10XM-M72-NF

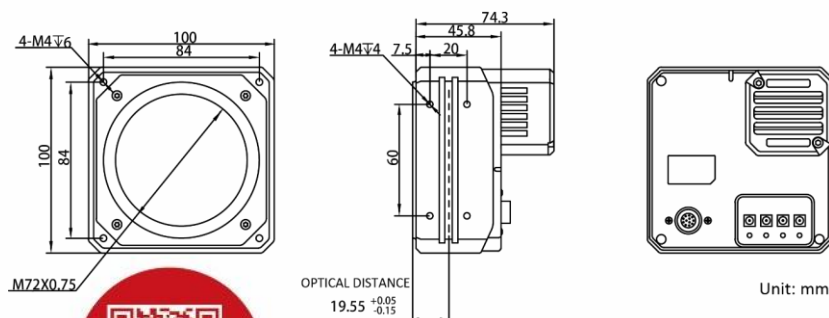
Applicable Industry

PCB AOI, FPD, high-accuracy measurement, etc.

Sensor Quantum Efficiency



Dimension



Specification

| | |
|----------------------------|---|
| Model | MV-CH1510-10XM-M72-NF |
| Camera | |
| Sensor type | Rolling shutter CMOS |
| Sensor model | Sony® IMX411 |
| Pixel size | 3.76 μm × 3.76 μm |
| Sensor size | 60.33 mm × 47.9 mm |
| Resolution | 14208 × 10640 |
| Max. frame rate | 6.2 fps @14208 × 10640 |
| Dynamic range | 90 dB |
| SNR | 45 dB |
| Gain | 0 dB to 30 dB |
| Exposure time | 15 μs to 10 s |
| Shutter mode | Off/Once/Continuous exposure mode, supports global reset |
| Mono/color | Mono |
| Pixel format | Mono 8 /10/12 |
| Binning | Not support |
| Decimation | Not support |
| Reverse image | Supports horizontal reverse image output |
| Electrical features | |
| Data interface | CoaXPress with DIN interface |
| Digital I/O | 12-pin Hirose connector provides I/O, including opto-isolated input x 1 (Line 0), opto-isolated output x 1 (Line 1), bi-directional non-isolated I/O x 1 (Line 2), and RS232 x 1. |
| Power supply | 24 VDC |
| Power consumption | Approx. 17 W@24 VDC |
| Structure | |
| Lens mount | M72-Mount, optical back focal length 19.55 mm (0.8") |
| Dimension | 100 mm × 100 mm × 74.3 mm (3.9" × 3.9" × 2.9") |
| Weight | Approx. 1 kg (2.2 lb.) |
| Ingress protection | IP40 (under proper lens installation and wiring) |
| Temperature | Working temperature: 0 °C to 50 °C (32 °F to 122 °F) Storage temperature: -30 °C to 70 °C (-22 °F to 158 °F) |
| Humidity | 20% to 95% RH, without condensation |
| General | |
| Client software | Frame grabber software meeting with CoaXPress Protocol |
| Operating system | 32/64-bit Windows 7/10 with 8 GB memory or above |
| Compatibility | CoaXPress, GenICam |
| Certification | CE, FCC |

HIKROBOT

Hangzhou Hikrobot Technology Co., Ltd.
No.399 Danfeng Road, Binjiang District, Hangzhou 310051, China.
en.hikrobotics.com

SEDECO

IMAGING

| | |
|--------------------------------------|------------------------|
| Germany, Austria, Switzerland | BeNeLux |
| Sedeco Imaging GmbH | Sedeco Imaging B.V. |
| Unterer Dammweg 12 | Trasmolenlaan 12 |
| 76149 Karlsruhe | 3447 GZ Woerden |
| Germany | the Netherlands |
| T. +49 721 5604 7980 | T. +31 348 749110 |
| info@sedeco-imaging.com | info@sedeco-imaging.nl |

www.sedeco-imaging.com

Copyright Hikrobot

Hangzhou Hikrobot Technology Co., Ltd. All Rights Reserved. Hangzhou Hikrobot Technology does not tolerate any infringement. Any organization or individual may not imitate or reproduce in whole or in part of the content. The data herein is based on Hikrobot's internal evaluation. Actual data may vary depending on specific configuration and operating condition. The information herein is subject to change without notice. All the content has been checked conscientiously. Nevertheless, Hikrobot shall not be liable to damages resulting from errors, inconsistencies or omissions.