

Digital Controller

1000 Level Digital Controller

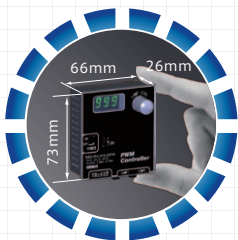
ILP series

Compact and low price digital controller



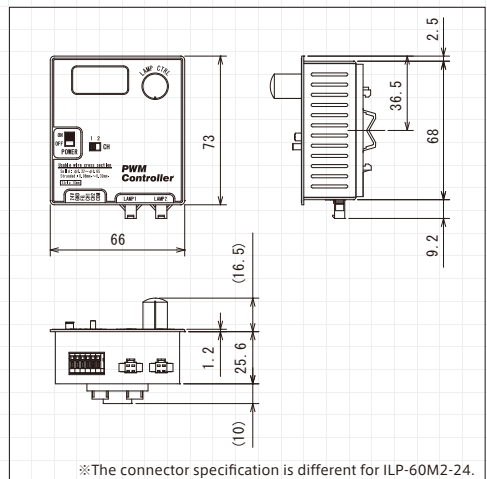
• It is a compact and low cost PWM power supply. Compared to conventional ones, we succeeded in making it 1/6 of its size 30W 2channel, the smallest in the industry, by densifying the mounted components and optimizing the design. It has a 1000 level digital controller with a good visibility display.

• The input voltage is DC 24V, the lineup includes ILP-30M2 of output voltage DC12V/total capacity 30W and IL-60M2-24 of output voltage DC24V/total capacity 60W.



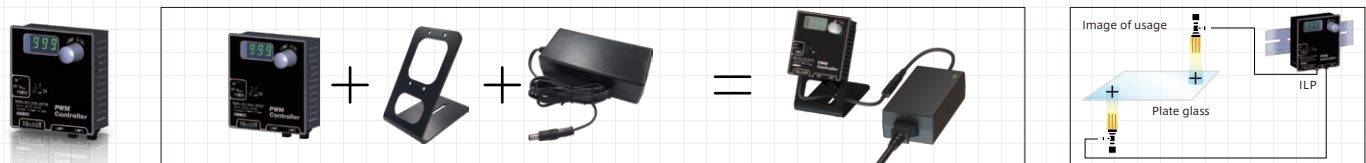
(*1) August 2013 Company research.

Model	ILP-30M2	ILP-60M2-24
Input Voltage	DC24V±10%	
Input Current	1.5A(Max)	3.0A(Max)
Output Voltage	DC12V	DC24V
Channel numbers	2CH	
Capacity	30W(2CH Total)	60W(2CH Total)
Light Control System	PWM approx. 80kHz (1000 levels)	
Response Speed	OFF→ON: within 70μS, ON→OFF: within 20μS	



※The connector specification is different for ILP-60M2-24.

*See page 83 for optional parts.



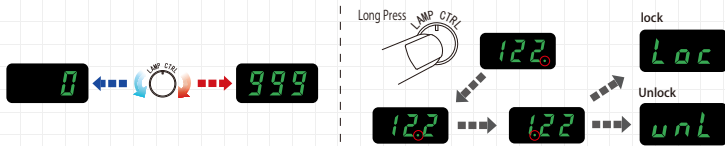
We also sale ILP power supply+ stand + AC adapter + AC cable as a set.

Easy to check the set value with the good visibility display

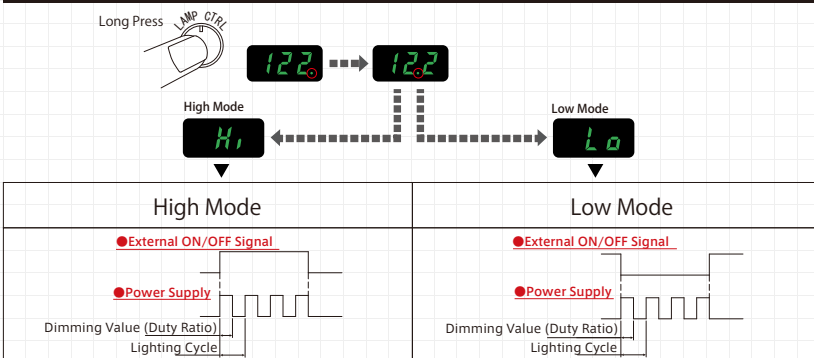
1000 level digital controller with good visibility display.

Since the variable speed of the light control is changed according to the speed of rotating the dimmer switch, the dimming value will be quickly set.

Further, by pressing and holding the dimmer switch, you can lock each channel.



The external ON / OFF signal and Inverting function of lighting output



Fully synchronizes the lighting output and external ON/OFF signal

Our conventional products had a lighting fluctuation due to an asynchronism of the external ON/OFF signal and inner PWM cycle.

However, the PWM cycle of these products synchronizes with the external ON/OFF signal so it has no lighting fluctuation.

