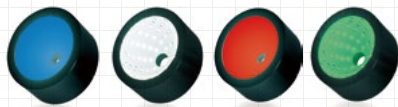


Dome Light Direct Dome Light IDD series

Strong illumination from all directions



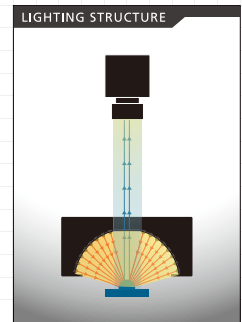
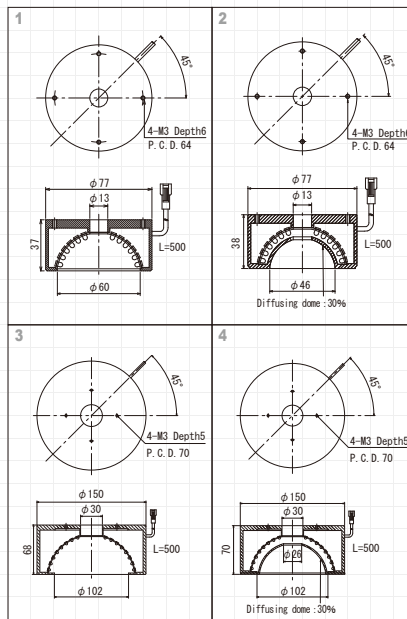
DC 24V Models Available



Model	Light Color	Power Consumption (W)	Input Voltage	SAG (*)	Power Supply	Drawing
IDD-60/13□	R	2.7	DC12V	6F	ILP-30M2 (P.69) IDGB series (P.67) other, overdrive power supply, etc.	1
	DW B G	4		FF		
IDD-60/13□S(30%)	R	2.7		6F		2
	DW B G	4		76		
IDD-120/30□	R	12.5		76		3
	DW B G	18.8		FF		
IDD-120/30□S(30%)	R	12.5		76		4
	DW B G	18.8		FF		

□ represents light color (R=Red, DW=White, B=Blue, G=Green)
 * A diffusing dome (transmissivity of 30%, 60%, or 80%) can be mounted.
 * Input voltage is DC 12V, but DC 24V models are also available.
 * See page 60 for DC 24V models.
 * Sizes other than those above are also available.
 * The SAG value indicates the maximum voltage setting for SAG power supplies. For details, see page 75.

Option (diffusion dome can be mounted)



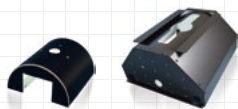
Dome Light Half-pipe Light IQD·IQDH series

Uniform illumination of spherical surfaces, irregular surfaces, and long workpieces.



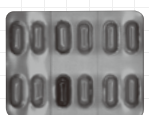
Power LEDs

*IQDH only



Model	Light Color	Power Consumption (W)	Input Voltage	Power Supply	Drawing
IQD-K60/65DW	DW	1CH 0.8W 2CH 0.8W Total:1.6W	DC12V	ILP-30M2 (P.69) IDGB series (P.67)	1
	W	1CH 10.8W 2CH 10.8W Total:21.6W			
IQDH-K150/175W	W	1CH 26W 2CH 26W Total:52W		IDGB-100M2 series (P.67)	3
	R	1CH R,B,G: each 13W 2CH R,B,G: each 13W Total:78W			
IQDH-K320/350W	B	Total:78W			
	G				

Uniform illumination from a close distance reduces surface reflections on a package



Ring diffusion light



IQD-K320/350W

