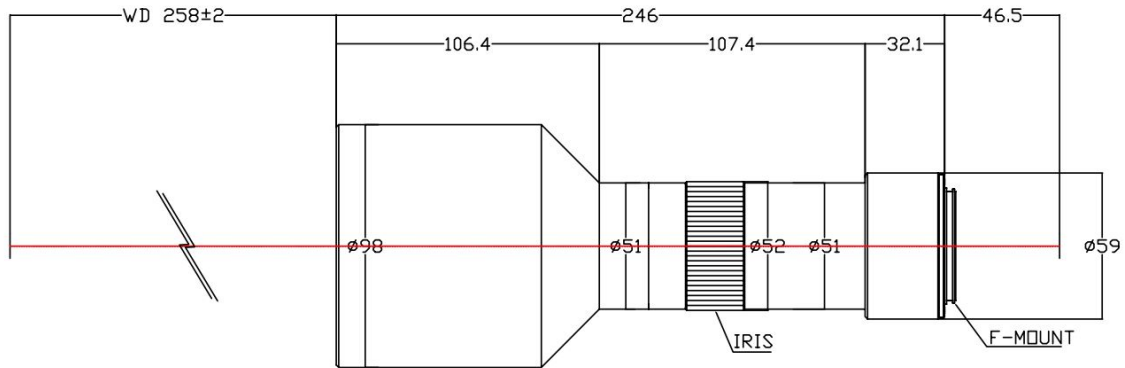


TF8MHR-06-258I



The Object Side Telecentric Lens TF8MHR-06-258I is suitable for sensors up to 8 megapixel and with an image format of 8M (23mm).

Technical Data

Magnification	0.6 X
Mount Type	F-Mount
Aperture (F)	5
Working Distance (WD)	258
Depth of Field (DOF)	611 µm
Resolution (Object Side)	5.6 µm
Numerical Aperture (NA)	0.06
Image Format (max.)	8M (23mm)
Megapixel	8 MP
Field of View (FOV)	30.2mm X 22.7mm @ 8M CCD
Telecentric Type	Object Side
Telecentricity	0.03 °
Optical Distortion (max.)	0.03 %
Special Feature	Super High Res

