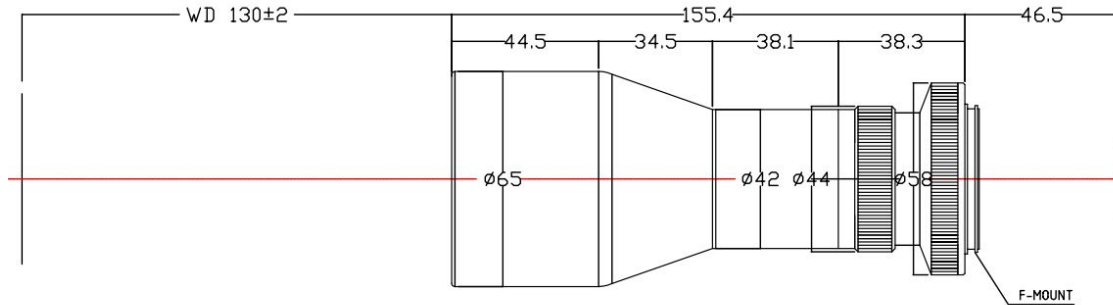


# TF8M-042-130I



The Object Side Telecentric Lens TF8M-042-130I is suitable for sensors up to 8 megapixel and with an image format of 8M (23mm).

## Technical Data

Magnification	0.42 X
Mount Type	F-Mount
Aperture (F)	10
Working Distance (WD)	130
Depth of Field (DOF)	2500 µm
Resolution (Object Side)	16 µm
Numerical Aperture (NA)	0.021
Image Format (max.)	8M (23mm)
Megapixel	8 MP
Field of View (FOV)	43.2mm X 32.4mm @ 8M CCD
Telecentric Type	Object Side
Telecentricity	0.023 °
Optical Distortion (max.)	0.1 %
Special Feature	Standard

