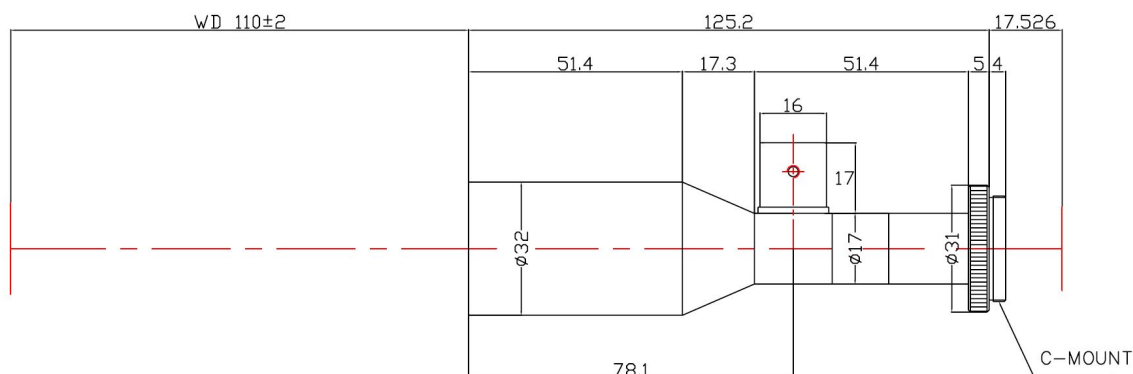


TCHR-035-110-S12C



The Object Side Telecentric Lens TCHR-035-110-S12C is suitable for sensors with an image format of 1/2 inch.

Technical Data

Magnification	0.35 X
Mount Type	C-Mount
Aperture (F)	11
Working Distance (WD)	110
Depth of Field (DOF)	7.1 μm
Resolution (Object Side)	21.1 μm
Numerical Aperture (NA)	0.016
Image Format (max.)	1/2 inch
Field of View (FOV)	17.6mm x 12.8mm@1/2" CCD
Telecentric Type	Object Side
Telecentricity	0.03 °
Optical Distortion (max.)	0.05 %
Special Feature	High Res

