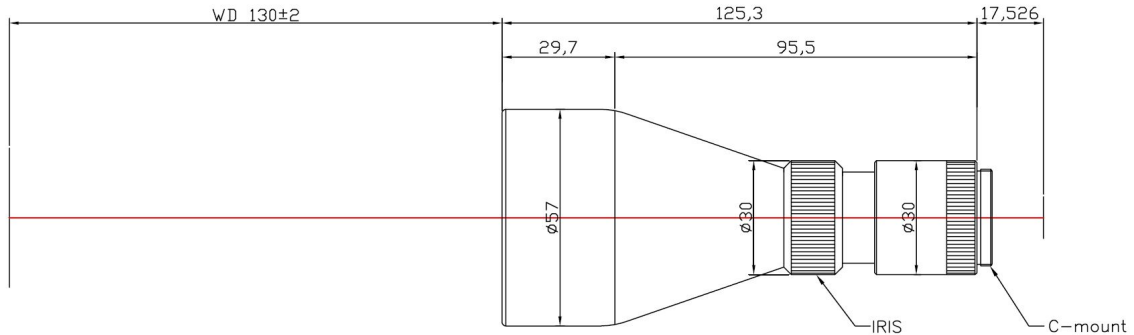


TCHR-03-130I



The Object Side Telecentric Lens TCHR-03-130I is suitable for sensors with an image format of 2/3 inch.

Technical Data

| | |
|---------------------------|----------------|
| Magnification | 0.3 X |
| Mount Type | C-Mount |
| Aperture (F) | 7.9 |
| Working Distance (WD) | 130 |
| Depth of Field (DOF) | 7 μ m |
| Resolution (Object Side) | 18 μ m |
| Numerical Aperture (NA) | 0.019 |
| Image Format (max.) | 2/3 inch |
| Field of View (FOV) | 29.3 x 22.0 mm |
| Telecentric Type | Object Side |
| Telecentricity | 0.04 ° |
| Optical Distortion (max.) | 0.08 % |
| Special Feature | High Res |

