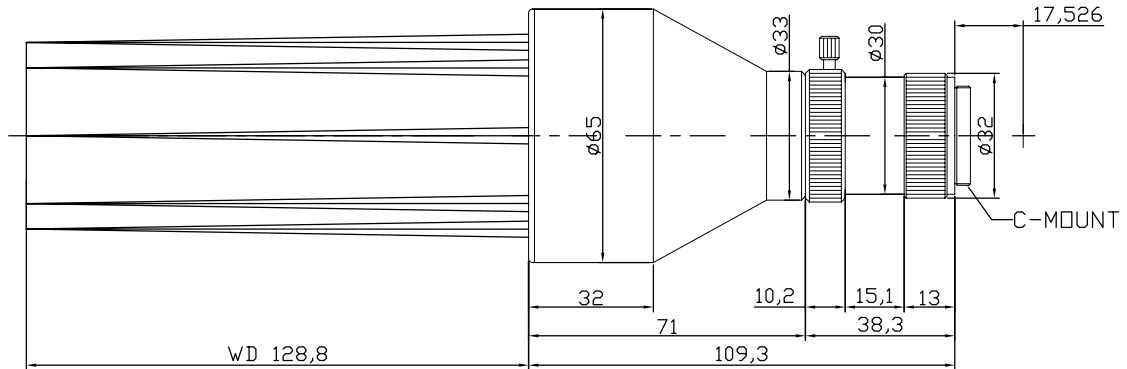


TCHR-023-130I



The Object Side Telecentric Lens TCHR-023-130I is suitable for sensors with an image format of 2/3 inch.

Technical Data

Magnification	0.23 X
Mount Type	C-Mount
Aperture (F)	7.1
Working Distance (WD)	130
Depth of Field (DOF)	10.7 μm
Resolution (Object Side)	20 μm
Numerical Aperture (NA)	0.016
Image Format (max.)	2/3 inch
Field of View (FOV)	38.3mm x 28.7mm@2/3" CCD
Telecentric Type	Object Side
Telecentricity	0.01 °
Optical Distortion (max.)	0.13 %
Special Feature	High Res

