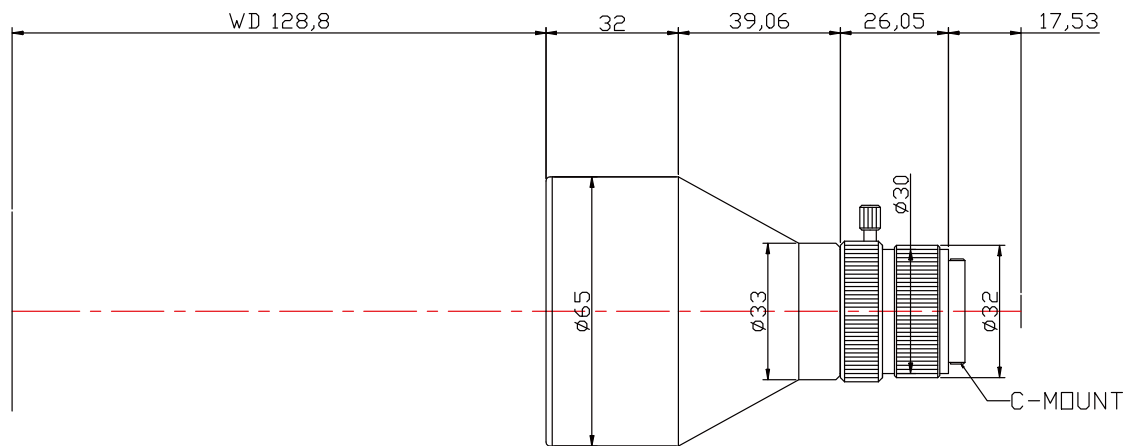


TCHR-0165-130I



The Object Side Telecentric Lens TCHR-0165-130I is suitable for sensors with an image format of 1/2 inch.

Technical Data

Magnification	0.165 X
Mount Type	C-Mount
Aperture (F)	7.1
Working Distance (WD)	129
Depth of Field (DOF)	20.8 μm
Resolution (Object Side)	28.2 μm
Numerical Aperture (NA)	0.012
Image Format (max.)	1/2 inch
Field of View (FOV)	38.8mm x 29.0 mm
Telecentric Type	Object Side
Telecentricity	0.017 °
Optical Distortion (max.)	0.15 %
Special Feature	High Res

