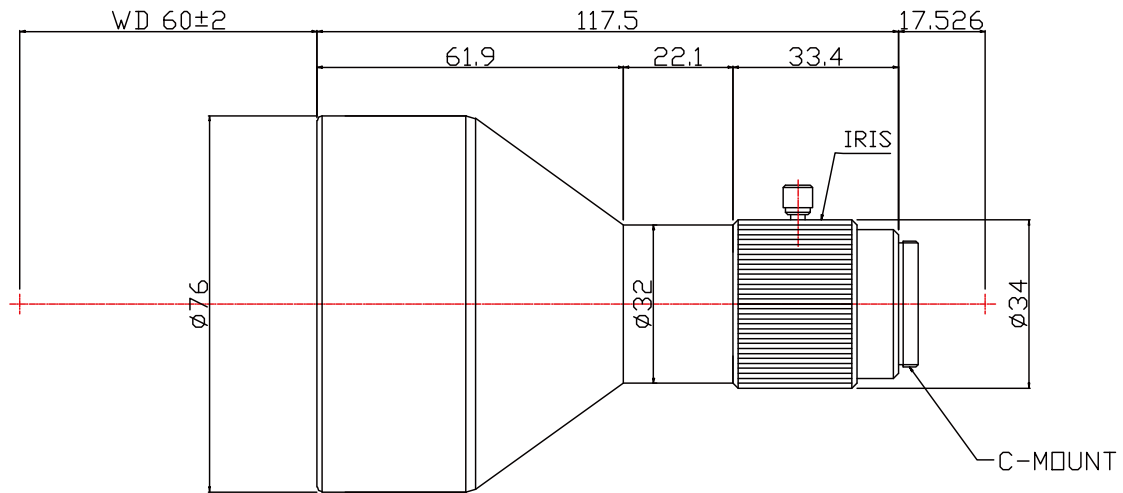


# TCHR-013-60I



The Object Side Telecentric Lens TCHR-013-60I is suitable for sensors with an image format of 1/2 inch.

## Technical Data

Magnification	0.13 X
Mount Type	C-Mount
Aperture (F)	6.7
Working Distance (WD)	60
Depth of Field (DOF)	3170 µm
Resolution (Object Side)	34.6 µm
Numerical Aperture (NA)	0.0097
Image Format (max.)	1/2 inch
Field of View (FOV)	49.23mm x 36.92mm@1/2" CCD
Telecentric Type	Object Side
Telecentricity	0.03 °
Optical Distortion (max.)	0.08 %
Special Feature	High Res

