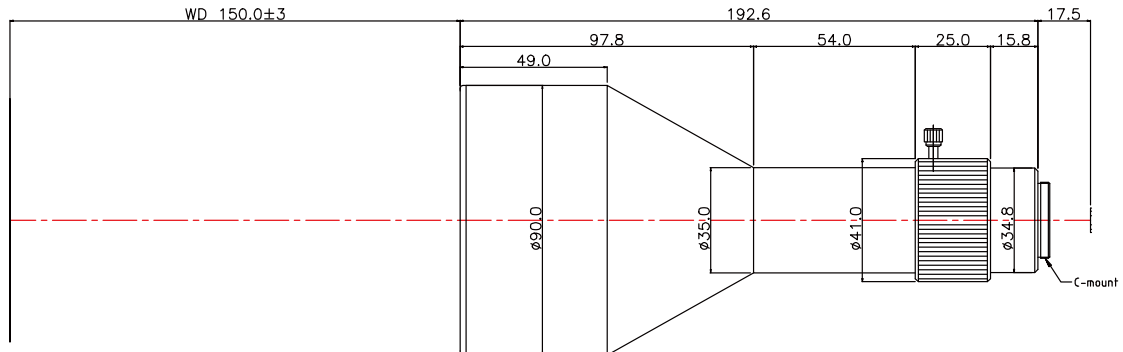


# TCHR-01-150I



The Object Side Telecentric Lens TCHR-01-150I is suitable for sensors with an image format of 1/2 inch.

## Technical Data

Magnification	0.1 X
Mount Type	C-Mount
Aperture (F)	6
Working Distance (WD)	150
Depth of Field (DOF)	4800 µm
Resolution (Object Side)	40.4 µm
Numerical Aperture (NA)	0.0083
Image Format (max.)	1/2 inch
Field of View (FOV)	64mm x 48mm@1/2" CCD
Telecentric Type	Object Side
Telecentricity	0.04 °
Optical Distortion (max.)	0.05 %
Special Feature	High Res

