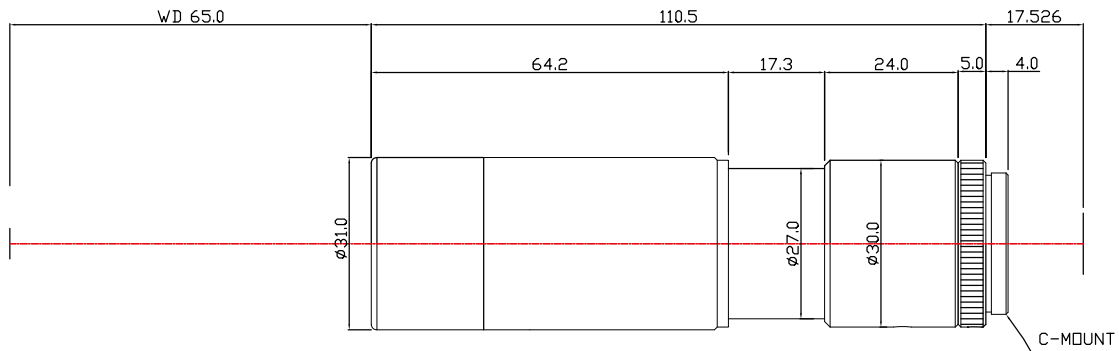


TC5M-20-65IC



The Object Side Telecentric Lens TC5M-20-65IC is suitable for sensors up to 5 megapixel and with an image format of 2/3 inch.

Technical Data

Magnification	2 X
Mount Type	C-Mount
Aperture (F)	8.3
Working Distance (WD)	65
Depth of Field (DOF)	83 μm
Resolution (Object Side)	2.8 μm
Numerical Aperture (NA)	0.12
Image Format (max.)	2/3 inch
Megapixel	5 MP
Field of View (FOV)	4.2mm x 3.6mm @5M CCD
Telecentric Type	Object Side
Telecentricity	0.03 °
Optical Distortion (max.)	0.02 %
Special Feature	Super High Res

