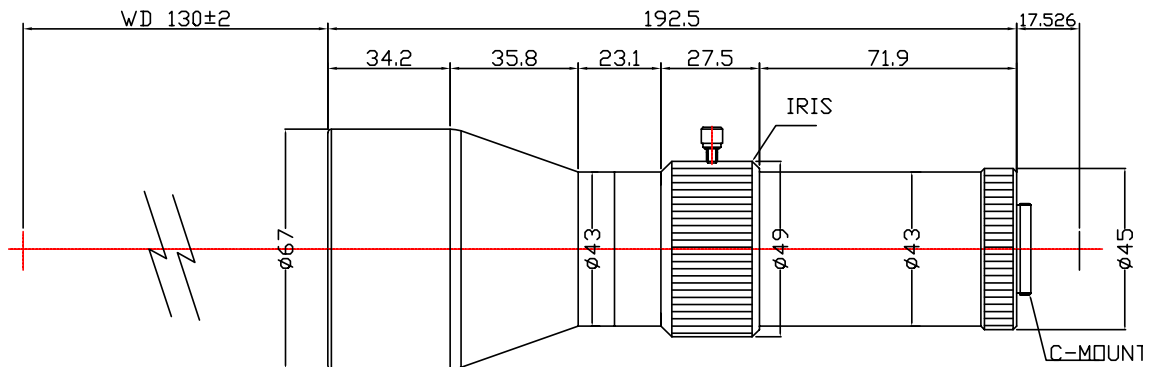


TC5M-07-130I



The Object Side Telecentric Lens TC5M-07-130I is suitable for sensors up to 5 megapixel and with an image format of 2/3 inch.

Technical Data

Magnification	0.7 X
Mount Type	C-Mount
Aperture (F)	5.5
Working Distance (WD)	130
Depth of Field (DOF)	449 µm
Resolution (Object Side)	5.33 µm
Numerical Aperture (NA)	0.063
Image Format (max.)	2/3 inch
Megapixel	5 MP
Field of View (FOV)	12.1mm X 10.1mm@ 5M CCD
Telecentric Type	Object Side
Telecentricity	0.03 °
Optical Distortion (max.)	0.03 %
Special Feature	High Res

