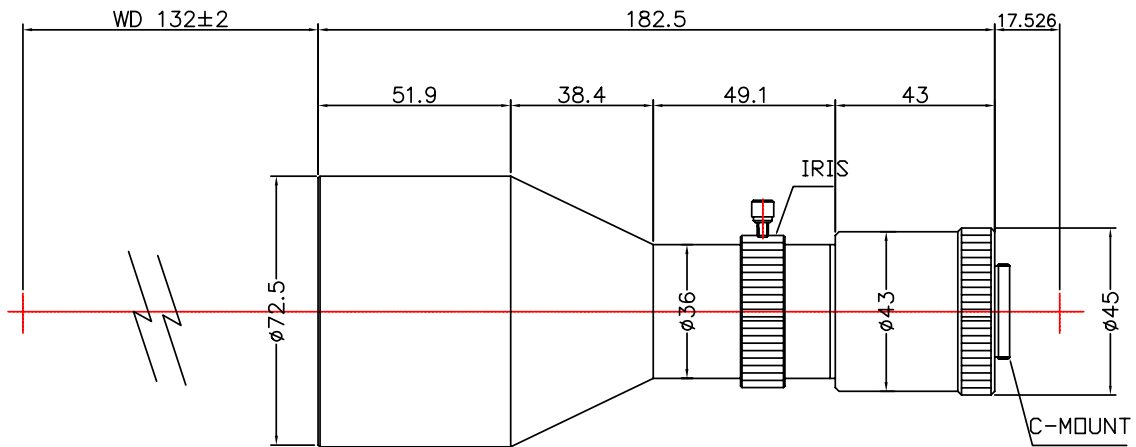


TC5M-042-130I



The Object Side Telecentric Lens TC5M-042-130I is suitable for sensors up to 5 megapixel and with an image format of 2/3 inch.

Technical Data

Magnification	0.42 X
Mount Type	C-Mount
Aperture (F)	4.5
Working Distance (WD)	130
Depth of Field (DOF)	1020 μ m
Resolution (Object Side)	7.26 μ m
Numerical Aperture (NA)	0.0462
Image Format (max.)	2/3 inch
Megapixel	5 MP
Field of View (FOV)	20.1mm x 16.8mm @5M CCD
Telecentric Type	Object Side
Telecentricity	0.03 °
Optical Distortion (max.)	0.03 %
Special Feature	High Res

