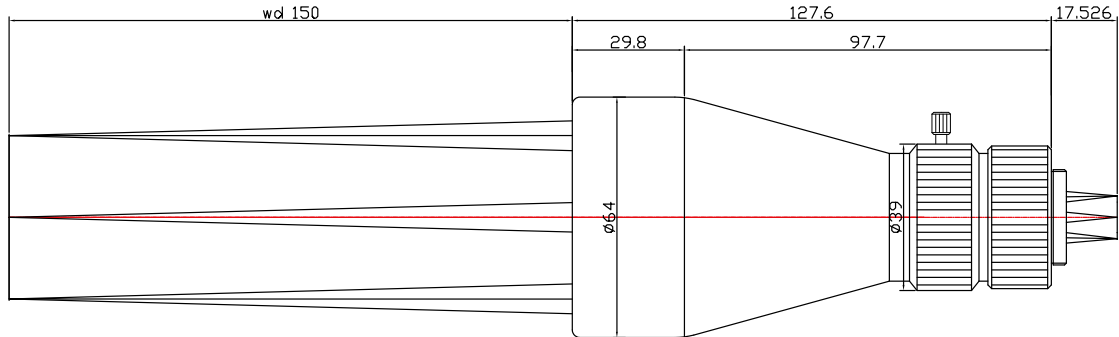


TC5M-026-150I



The Object Side Telecentric Lens TC5M-026-150I is suitable for sensors up to 5 megapixel and with an image format of 2/3 inch.

Technical Data

Magnification	0.26 X
Mount Type	C-Mount
Aperture (F)	5.3
Working Distance (WD)	150
Depth of Field (DOF)	3.1 μm
Resolution (Object Side)	13.7 μm
Numerical Aperture (NA)	0.0245
Image Format (max.)	2/3 inch
Megapixel	5 MP
Field of View (FOV)	32mm X 27mm @5M CCD
Telecentric Type	Object Side
Telecentricity	0.03 °
Optical Distortion (max.)	0.08 %
Special Feature	Super High Res

