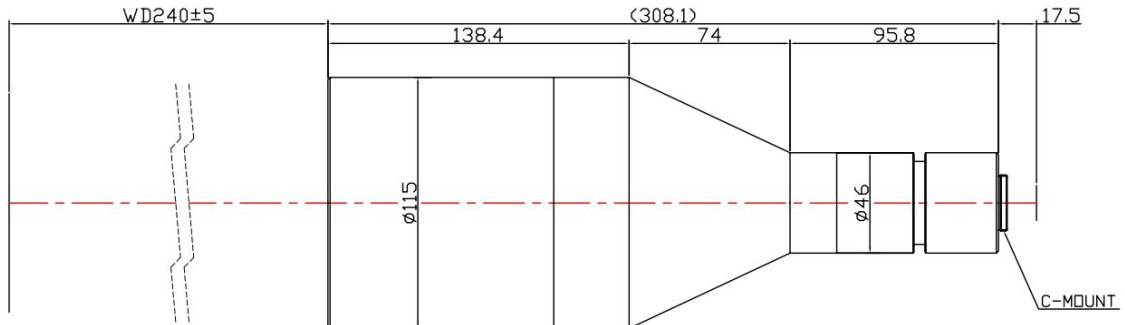


# TC4MHR-016-240I



The Object Side Telecentric Lens TC4MHR-016-240I is suitable for sensors up to 4 megapixel and with an image format of 1 inch.

## Technical Data

Magnification	0.16 X
Mount Type	C-Mount
Aperture (F)	7.27
Working Distance (WD)	240
Depth of Field (DOF)	1250 µm
Resolution (Object Side)	30.5 µm
Numerical Aperture (NA)	0.011
Image Format (max.)	1 inch
Megapixel	4 MP
Field of View (FOV)	70.4mm X 70.4mm @ 4M CCD
Telecentric Type	Object Side
Telecentricity	0.03 °
Optical Distortion (max.)	0.01 %
Special Feature	High Res

