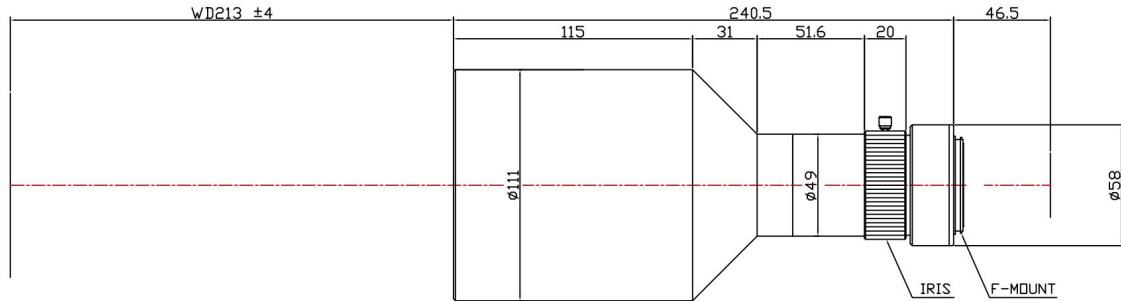


T25M-035-213I



The Telecentric Lens T25M-035-213I is suitable for sensors up to 25 megapixel and with an image format of 25M (32mm).

Technical Data

Magnification	0.35 X
Mount Type	M48
Aperture (F)	7.5
Working Distance (WD)	213
Depth of Field (DOF)	2200 μ m
Resolution (Object Side)	14.39 μ m
Numerical Aperture (NA)	0.0233
Image Format (max.)	25M (32mm)
Megapixel	25 MP
Field of View (FOV)	64.8 x 64.8mm @25M CCD
Telecentricity	0.03 °
Optical Distortion (max.)	0.08 %
Special Feature	Standard

