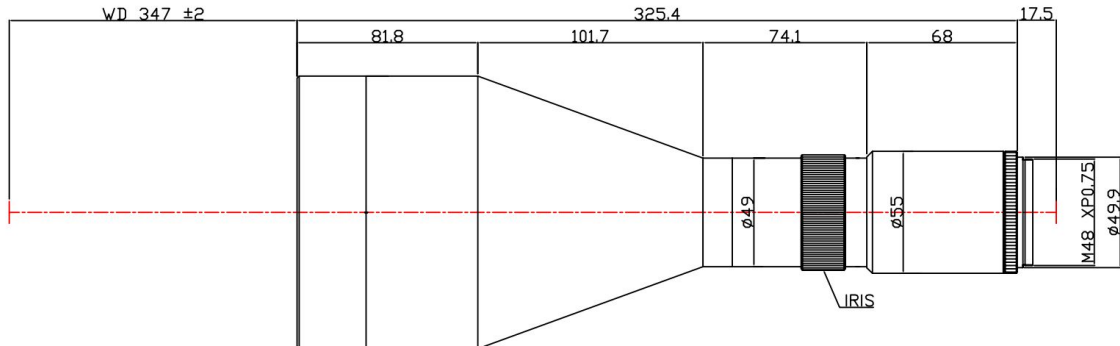


T25M-033-347I



The Object Side Telecentric Lens T25M-033-347I is suitable for sensors up to 25 megapixel and with an image format of 25M (32mm).

Technical Data

Magnification	0.33 X
Mount Type	M48
Aperture (F)	8.25
Working Distance (WD)	347
Depth of Field (DOF)	2600 μm
Resolution (Object Side)	16.8 μm
Numerical Aperture (NA)	0.02
Image Format (max.)	25M (32mm)
Megapixel	25 MP
Field of View (FOV)	68.8 x 68.8mm @25M CCD
Telecentric Type	Object Side
Telecentricity	0.03 °
Optical Distortion (max.)	0.02 %
Special Feature	Standard

