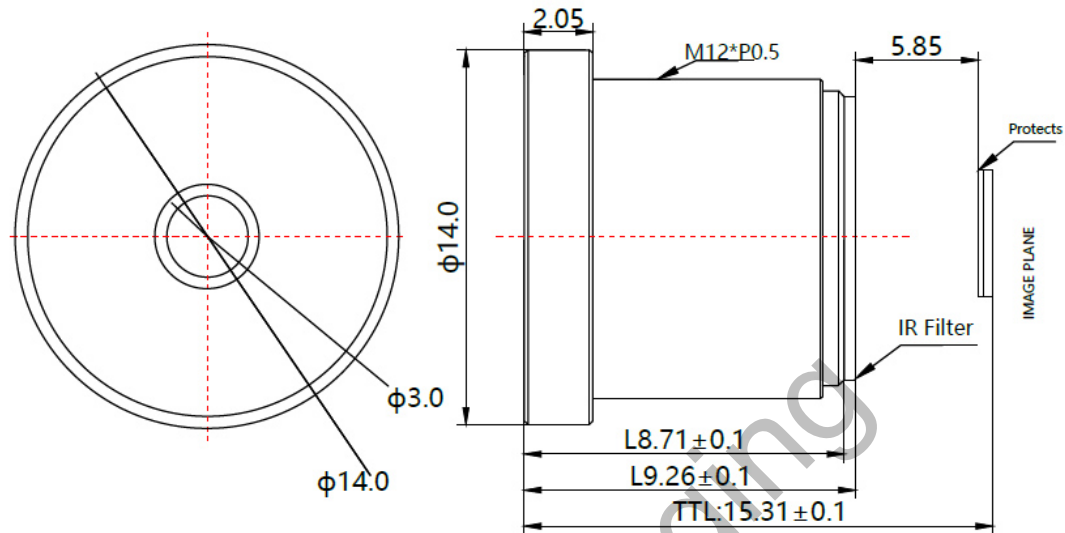


# B5M8556S12C



The S-Mount lens Lensagon B5M8556S12C is suitable for common sensors up to 5 megapixel with an image format of 1/2 inch.

## Technical Data

Mount	S-Mount
Sensor	1/2 inch
Focal Length	8.5 mm
Aperture	5.6
MOD	0.1 m
Back Focal	5.85 mm
Angle of View	D:54.3° H:44.1° V:33.2°
Megapixel	5 MP
IR Cut Filter	Yes
Image Circle	8.5 mm
Weight	5 g
Iris	fixed
Focus	fixed
Chief ray angle	8.6 °

**SEDECO**  
IMAGING

Germany, Austria, Switzerland  
Sedeco Imaging GmbH  
Unterer Dammweg 12  
76149 Karlsruhe  
Germany  
T. +49 721 5604 7980  
info@sedeco-imaging.com

BeNeLux  
Sedeco Imaging B.V.  
Trasmolenlaan 12  
3447 GZ Woerden  
the Netherlands  
T. +31 348 749110  
info@sedeco-imaging.nl

[www.sedeco-imaging.com](http://www.sedeco-imaging.com)



**5** Megapixel