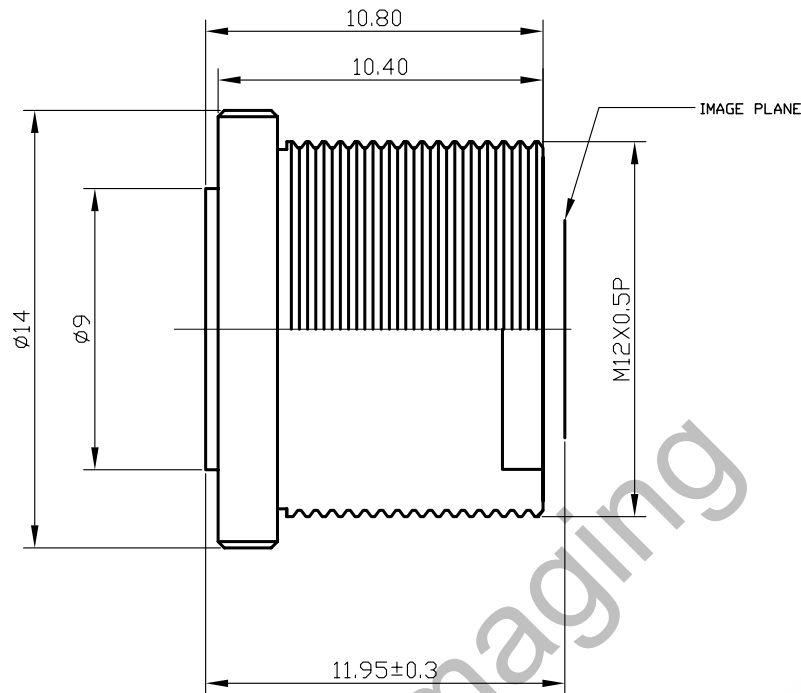


Lensagon B5M8430N



The S-Mount lens Lensagon B5M8430N is suitable for common sensors up to 5 megapixel with an image format of 1/1.8 inch. Chief Ray Angle: 23,2°

Technical Data

Mount	S-Mount
Sensor	1/1.8 - 1/2 inch Sensor
Focal Length	8.42 mm
Aperture	3
Back Focal	2.79 mm
Angle of View	D:60° H:° V:°
Megapixel	5 MP
IR Cut	No
Distortion	-1.15 %
Weight	7 g
Iris	fixed
Focus	fixed
Typ	Standard

SEDECO
IMAGING

Germany, Austria, Switzerland
Sedeco Imaging GmbH
Unterer Dammweg 12
76149 Karlsruhe
Germany
T. +49 721 5604 7980
info@sedeco-imaging.com

BeNeLux
Sedeco Imaging B.V.
Trasmolenlaan 12
3447 GZ Woerden
the Netherlands
T. +31 348 749110
info@sedeco-imaging.nl

www.sedeco-imaging.com



5 Megapixel