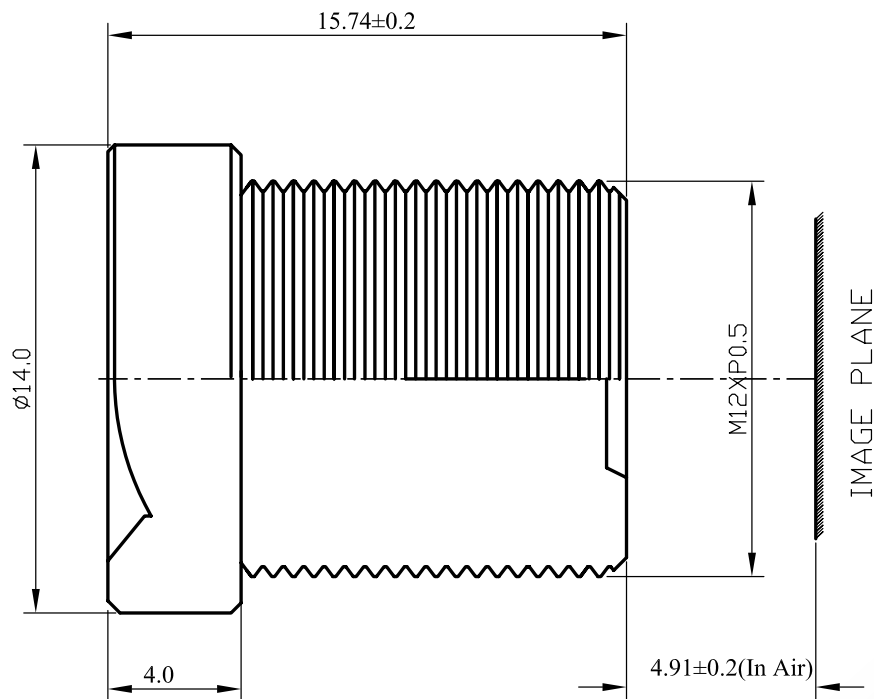


Lensagon BT3620



The S-Mount lens Lensagon BT3620 is suitable for sensors below 1 megapixel with an image format of 1/3 inch. It is characterized by a particularly high light intensity.

Technical Data

Mount	S-Mount
Sensor	1/3 inch
Focal Length	3.6 mm
Aperture	2
MOD	0.2 m
Back Focal	5 mm
Angle of View	D:100° H:78° V:57.2°
IR Cut	corrected
Distortion	-18.6 %
Weight	4 g
Iris	fixed
Focus	fixed
Typ	Standard



Light Sensitive