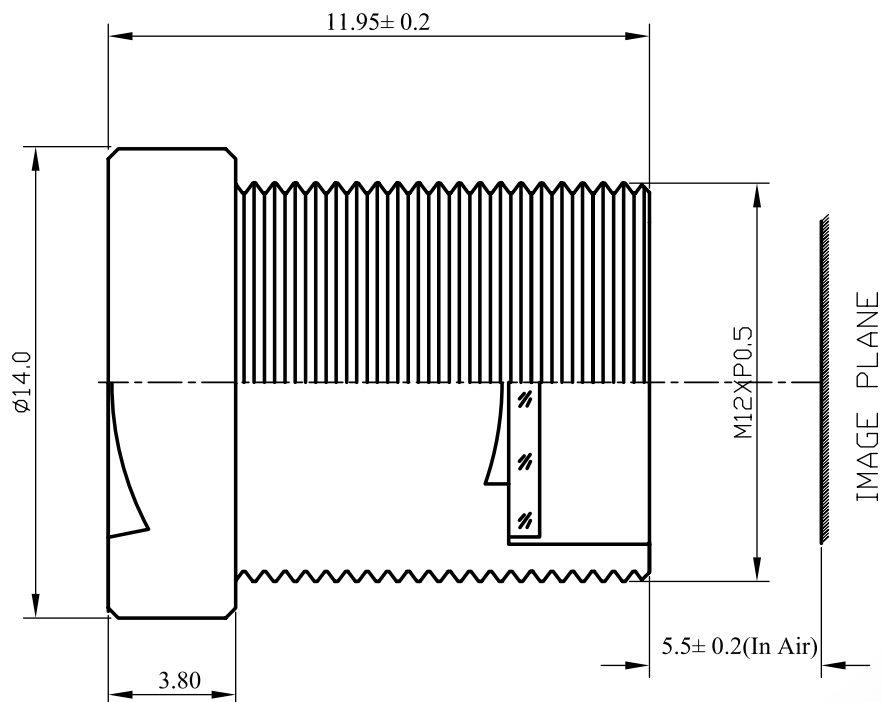


Lensagon BT16020NC



The S-Mount lens Lensagon BT16020NC is suitable for sensors below 1 megapixel with an image format of 1/3 inch. It is characterized by a particularly high light intensity.

Technical Data

Mount	S-Mount
Sensor	1/3 inch
Focal Length	16 mm
Aperture	2
MOD	0.4 m
Back Focal	10.1 mm
Angle of View	D:22° H:° V:°
Filter	IR Cut Filter
IR Cut	Yes
Distortion	0.3 %
Iris	fixed
Focus	fixed
Typ	Standard



Light Sensitive