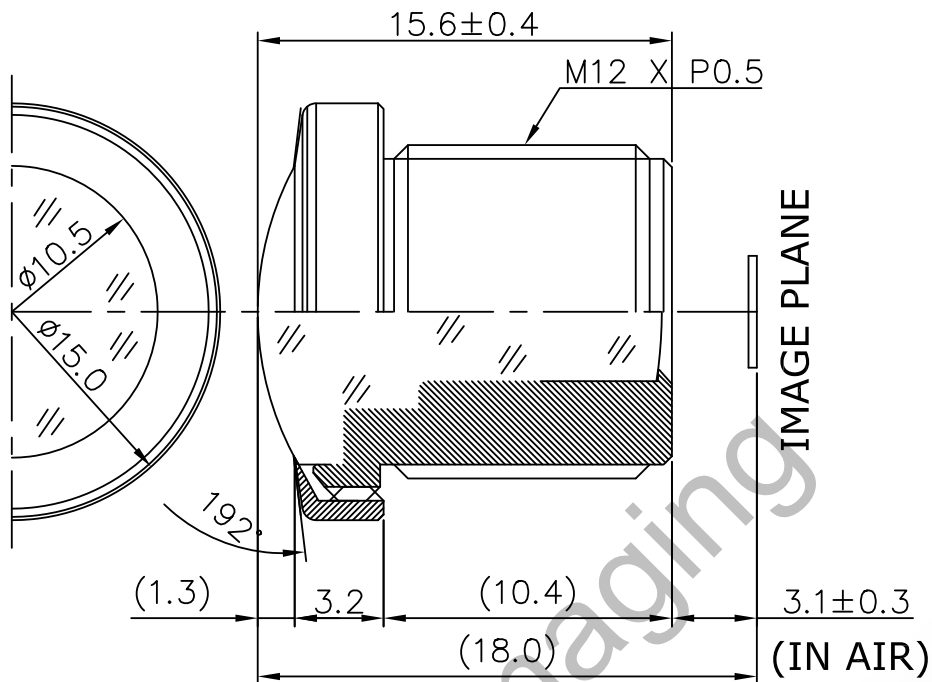


Lensagon BK1220



The S-Mount lens Lensagon BK1220 is suitable for sensors below 1 megapixel with an image format of 1/4 inch. It is characterized by a particularly high light intensity.

Technical Data

Mount	S-Mount
Sensor	1/4 inch
Focal Length	1.2 mm
Aperture	2
Back Focal	3.4 mm
Angle of View	D:192° H:175° V:127°
Megapixel	0.3 MP
IR Cut	No
Iris	fixed
Focus	fixed
Typ	Standard

SEDECO
IMAGING

Germany, Austria, Switzerland
Sedeco Imaging GmbH
Unterer Dammweg 12
76149 Karlsruhe
Germany
T. +49 721 5604 7980
info@sedeco-imaging.com

BeNeLux
Sedeco Imaging B.V.
Trasmolenlaan 12
3447 GZ Woerden
the Netherlands
T. +31 348 749110
info@sedeco-imaging.nl

www.sedeco-imaging.com



Light Sensitive