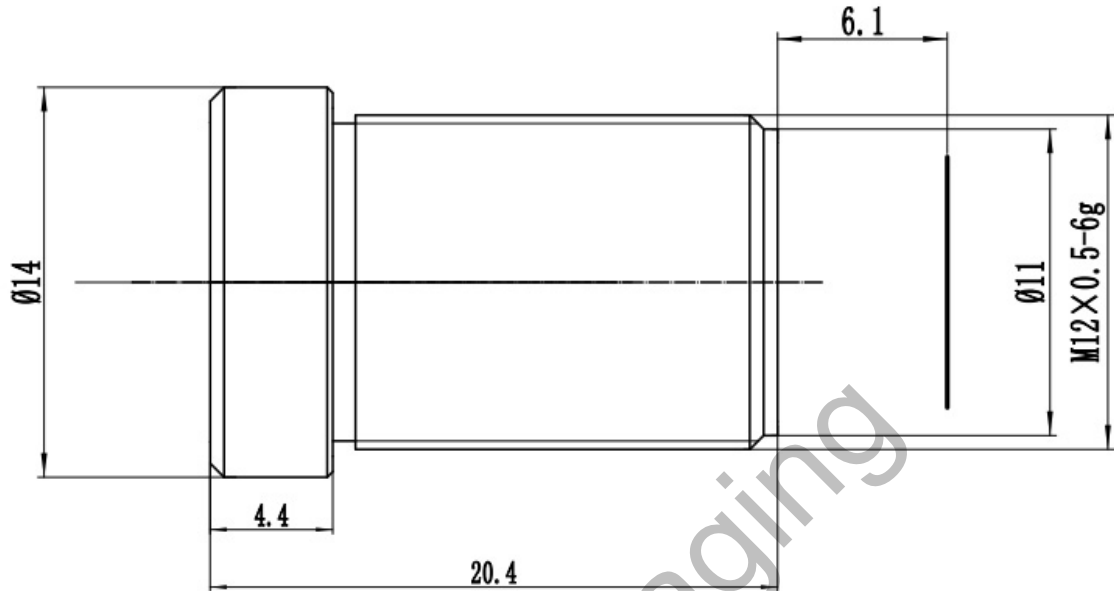


# B5M25024V2



The S-Mount lens Lensagon B5M25024V2 is suitable for common sensors up to 5 megapixel with an image format of 1/2 inch.

## Technical Data

Mount	S-Mount
Sensor	1/2 inch
Focal Length	25 mm
Aperture	2.4
MOD	0.3 m
Back Focal	11.98 mm
Angle of View	D:18.3° H:14.7° V:11.1°
Megapixel	5 MP
IR Correction	Yes
IR Cut Filter	No
Distortion	1.13 %
Weight	5 g
Iris	fixed
Focus	fixed
Typ	Standard

**SEDECO**  
IMAGING

Germany, Austria, Switzerland  
Sedeco Imaging GmbH  
Unterer Dammweg 12  
76149 Karlsruhe  
Germany  
T. +49 721 5604 7980  
info@sedeco-imaging.com

BeNeLux  
Sedeco Imaging B.V.  
Trasmolenlaan 12  
3447 GZ Woerden  
the Netherlands  
T. +31 348 749110  
info@sedeco-imaging.nl

[www.sedeco-imaging.com](http://www.sedeco-imaging.com)



**5** Megapixel