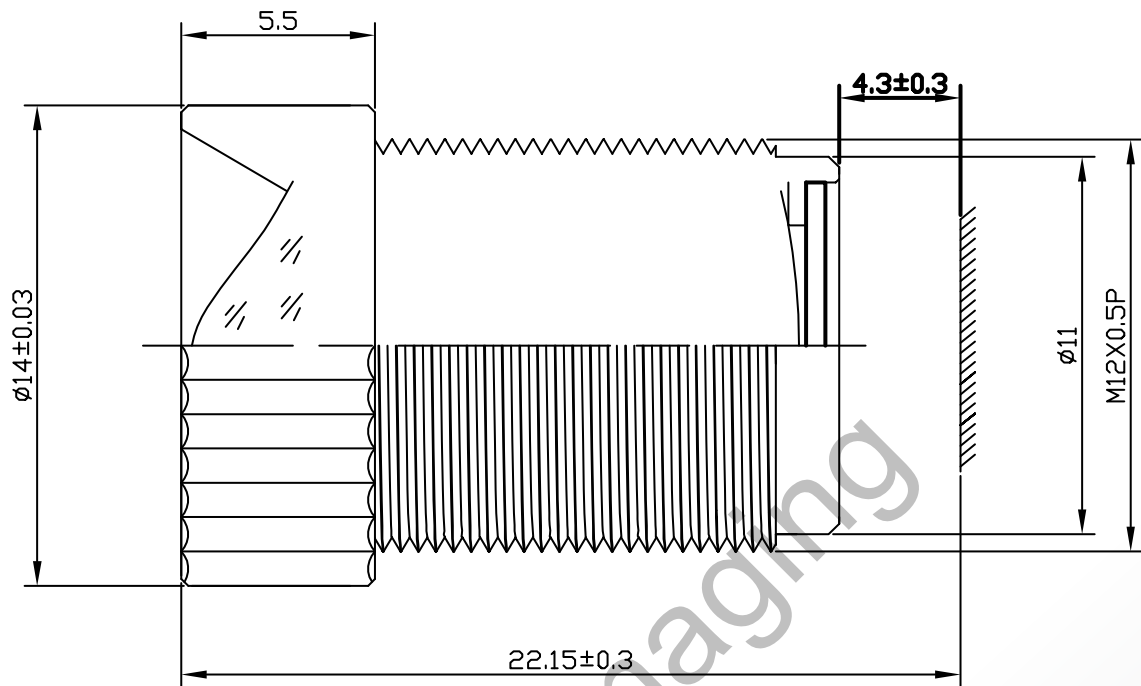


# B5M41430NDC



The S-Mount lens Lensagon B5M41430NDC is suitable for common sensors up to 5 megapixel with an image format of 1/2.5 inch.

## Technical Data

Mount	S-Mount
Sensor	1/2.5 inch
Focal Length	4.14 mm
Aperture	3
MOD	0.2 m
Back Focal	5.45 mm
Angle of View	D:81.1° H:68.8° V:54.4°
Megapixel	5 MP
IR Cut Filter	Yes
Distortion	0.2 %
Weight	8.3 g
Iris	fixed
Focus	fixed
Typ	Standard

**SEDECO**  
IMAGING

Germany, Austria, Switzerland  
Sedeco Imaging GmbH  
Unterer Dammweg 12  
76149 Karlsruhe  
Germany  
T. +49 721 5604 7980  
info@sedeco-imaging.com

BeNeLux  
Sedeco Imaging B.V.  
Trasmolenlaan 12  
3447 GZ Woerden  
the Netherlands  
T. +31 348 749110  
info@sedeco-imaging.nl

[www.sedeco-imaging.com](http://www.sedeco-imaging.com)



**5** Megapixel