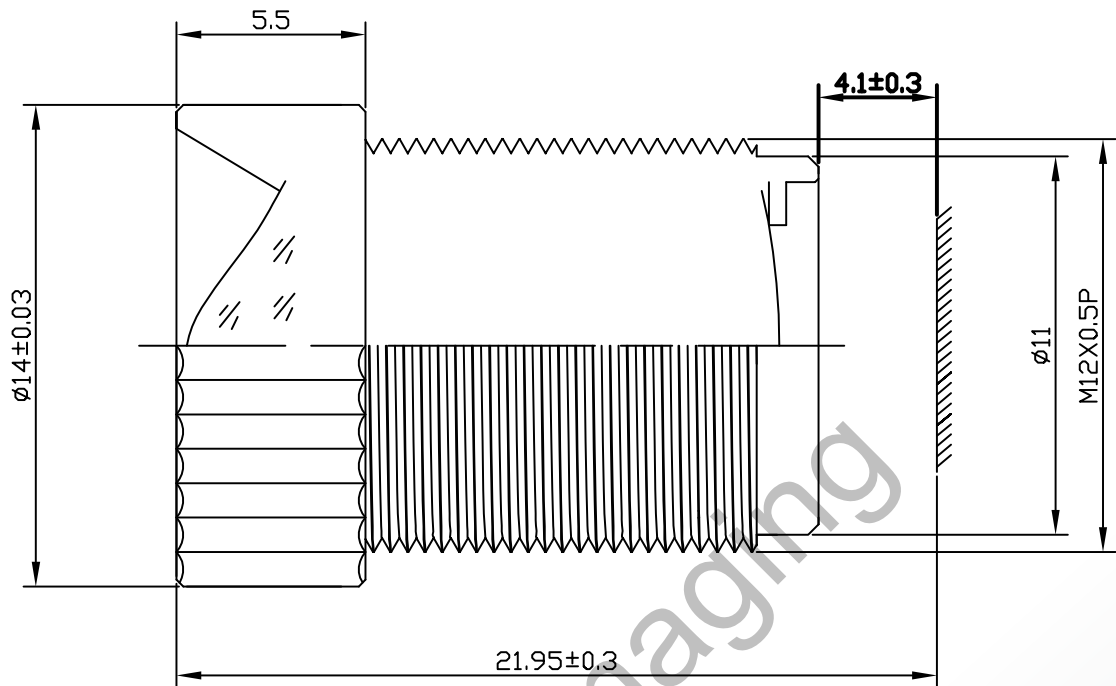


B5M41430ND



The S-Mount lens Lensagon B5M41430ND is suitable for common sensors up to 5 megapixel with an image format of 1/2.5 inch.

Technical Data

Mount	S-Mount
Sensor	1/2.5 inch
Focal Length	4.14 mm
Aperture	3
MOD	0.2 m
Back Focal	5.25 mm
Angle of View	D:81.1° H:68.8° V:54.4°
Megapixel	5 MP
Distortion	0.2 %
Weight	8.3 g
Iris	fixed
Focus	fixed
Typ	Standard

SEDECO
IMAGING

Germany, Austria, Switzerland

Sedeco Imaging GmbH
Unterer Dammweg 12
76149 Karlsruhe
Germany

T. +49 721 5604 7980
info@sedeco-imaging.com

BeNeLux

Sedeco Imaging B.V.
Trasmolenlaan 12
3447 GZ Woerden
the Netherlands

T. +31 348 749110
info@sedeco-imaging.nl

www.sedeco-imaging.com



5 Megapixel