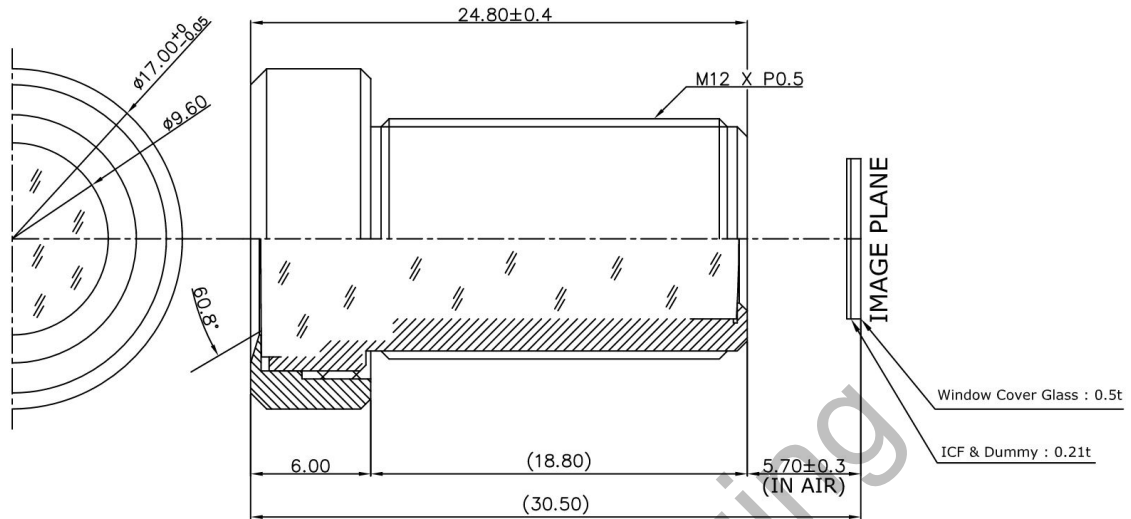


Lensagon BK5M7620



The S-Mount lens Lensagon BK5M7620 is suitable for common sensors up to 5 megapixel with an image format of 1/2 inch. It is characterized by a particularly high light intensity.

Technical Data

Sensor	1/2 inch
Focal Length	7.6 mm
Aperture	2
MOD	3 m
Back Focal	6.1 mm
Angle of View	D:60.8° H:47.9° V:35.6°
Megapixel	5 MP
Weight	9.66 g

SEDECO
IMAGING

Germany, Austria, Switzerland

Sedeco Imaging GmbH
Unterer Dammweg 12
76149 Karlsruhe
Germany
T. +49 721 5604 7980
info@sedeco-imaging.com

BeNeLux

Sedeco Imaging B.V.
Trasmolenlaan 12
3447 GZ Woerden
the Netherlands
T. +31 348 749110
info@sedeco-imaging.nl

www.sedeco-imaging.com



Light Sensitive



Megapixel