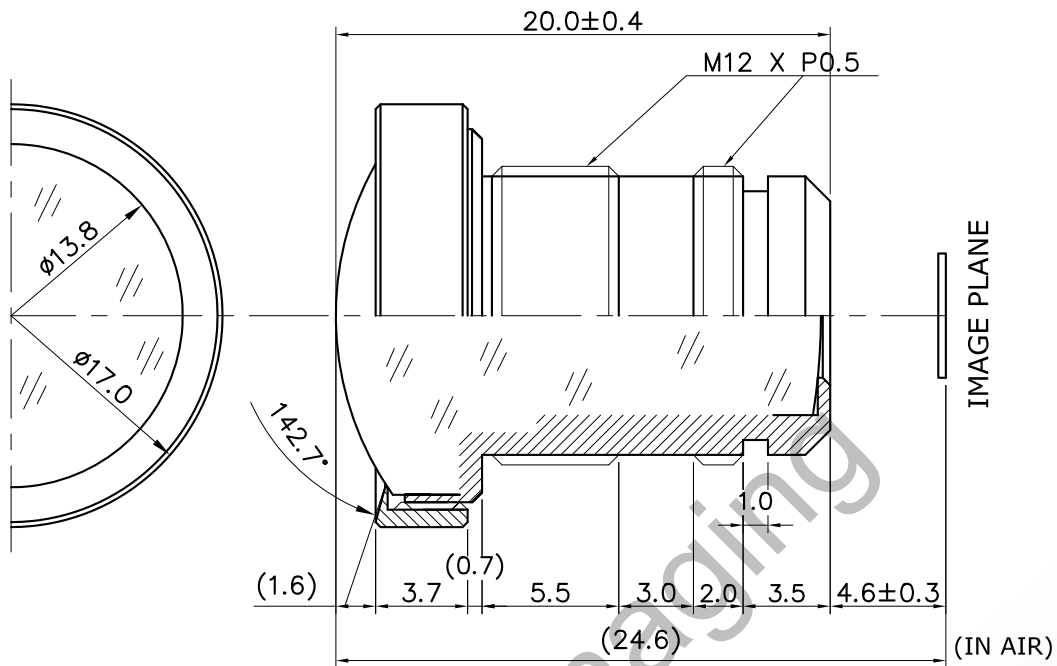


Lensagon BHR2525



The S-Mount lens Lensagon BHR2525 is suitable for sensors below 1 megapixel with an image format of 1/3 inch.

Technical Data

Mount	S-Mount
Sensor	1/3 inch
Focal Length	2.5 mm
Aperture	2.5
MOD	0.4 m
Back Focal	5.04 mm
Angle of View	D:142.7° H:113.4° V:85.9°
Megapixel	0.7 MP
IR Cut	No
Iris	fixed
Focus	fixed
Typ	Standard

SEDECO
IMAGING

Germany, Austria, Switzerland
Sedeco Imaging GmbH
Unterer Dammweg 12
76149 Karlsruhe
Germany
T. +49 721 5604 7980
info@sedeco-imaging.com

BeNeLux
Sedeco Imaging B.V.
Trasmolenlaan 12
3447 GZ Woerden
the Netherlands
T. +31 348 749110
info@sedeco-imaging.nl

www.sedeco-imaging.com

