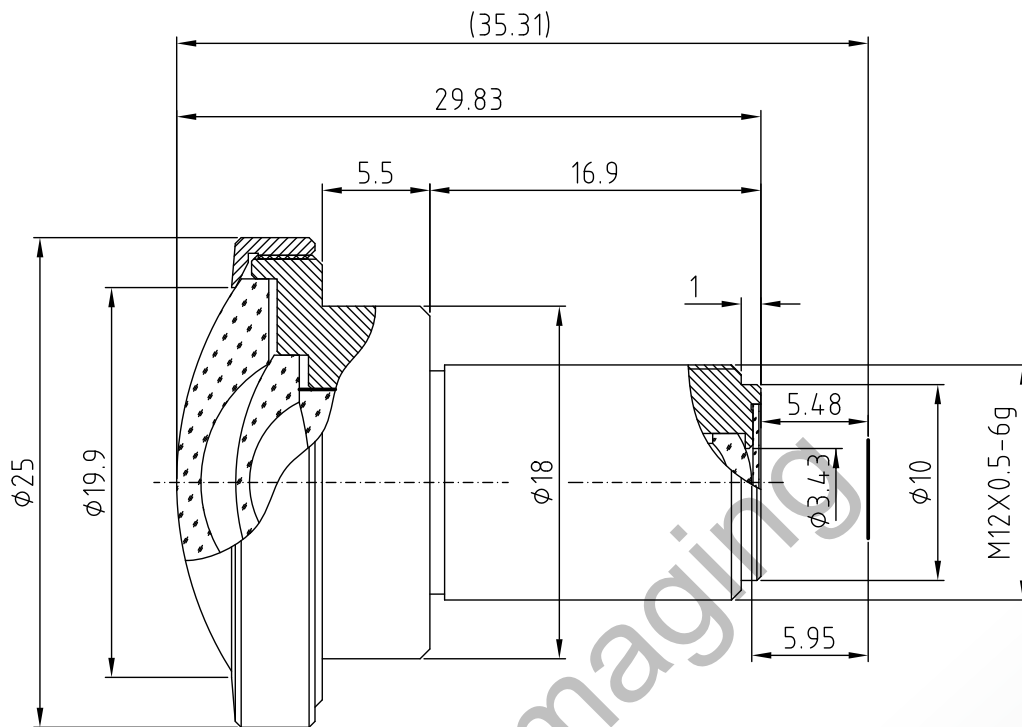


BF5M11920C



The Fisheye S-Mount lens Lensagon BF5M11920C is suitable for common sensors up to 5 megapixel with an image format of 1/3.2 inch. It is characterized by a particularly high light intensity. Effective Aperture: 19.9mm (Front)
Effective Aperture: 3.43mm (Rear)

Technical Data

Mount	S-Mount
Sensor	1/3.2 inch
Focal Length	1.19 mm
Aperture	2
MOD	0.1 m
Back Focal	5.95 mm
Angle of View	D:185° H:185° V:185°
Megapixel	5 MP
IR Cut	Yes
Iris	fixed
Focus	fixed
Typ	Fisheye

SEDECO
IMAGING

Germany, Austria, Switzerland
Sedeco Imaging GmbH
Unterer Dammweg 12
76149 Karlsruhe
Germany
T. +49 721 5604 7980
info@sedeco-imaging.com

BeNeLux
Sedeco Imaging B.V.
Trasmolenlaan 12
3447 GZ Woerden
the Netherlands
T. +31 348 749110
info@sedeco-imaging.nl

www.sedeco-imaging.com



Light Sensitive



5 Megapixel