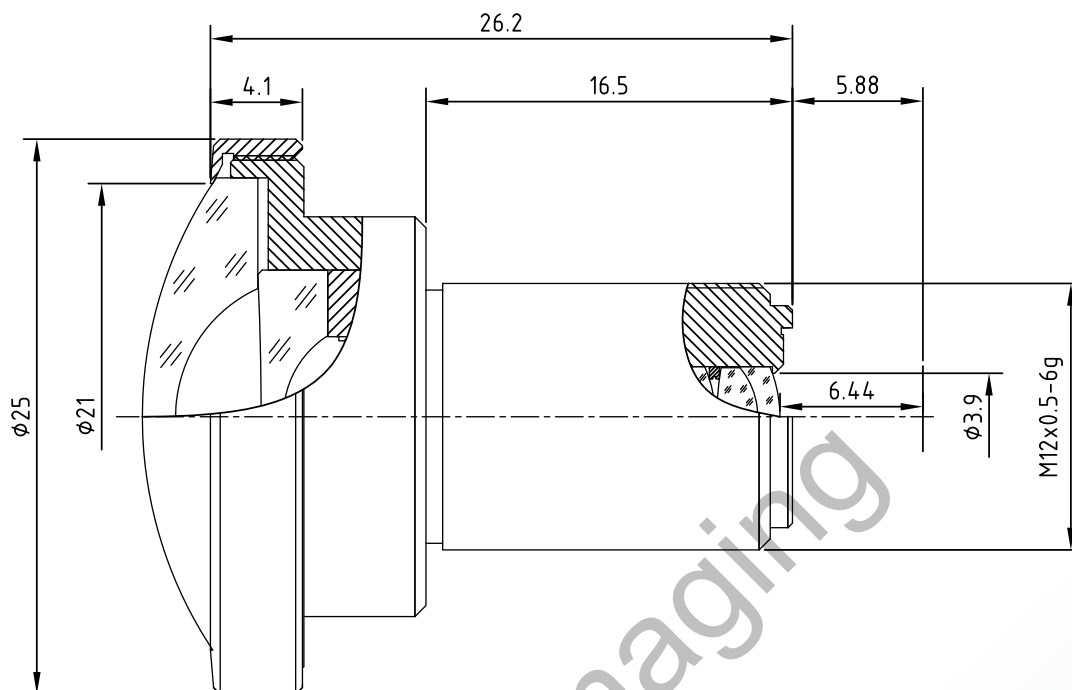


Lensagon BF5M11920



The Fisheye S-Mount lens Lensagon BF5M11920 is suitable for common sensors up to 5 megapixel with an image format of 1/3.2 inch. It is characterized by a particularly high light intensity.

Technical Data

Mount	S-Mount
Sensor	1/3.2 inch
Focal Length	1.19 mm
Aperture	2
MOD	0.2 m
Back Focal	6.44 mm
Angle of View	D:180° H:180° V:180°
Megapixel	5 MP
IR Cut	corrected
Image Circle	3.24
Iris	fixed
Focus	fixed
Typ	Fisheye

SEDECO
IMAGING

Germany, Austria, Switzerland
Sedeco Imaging GmbH
 Unterer Dammweg 12
 76149 Karlsruhe
 Germany
 T. +49 721 5604 7980
 info@sedeco-imaging.com

BeNeLux
Sedeco Imaging B.V.
 Trasmolenlaan 12
 3447 GZ Woerden
 the Netherlands
 T. +31 348 749110
 info@sedeco-imaging.nl

www.sedeco-imaging.com



Light Sensitive



5 Megapixel